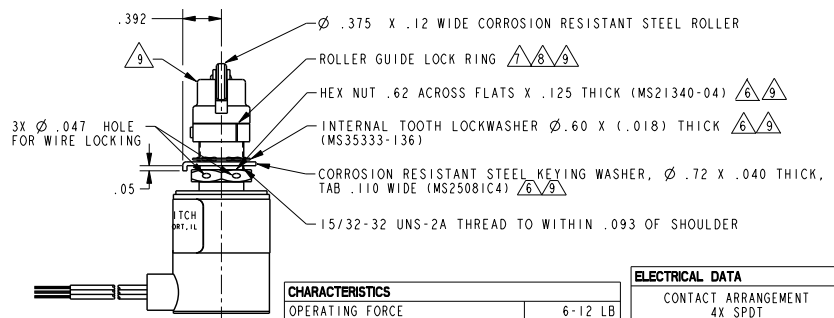
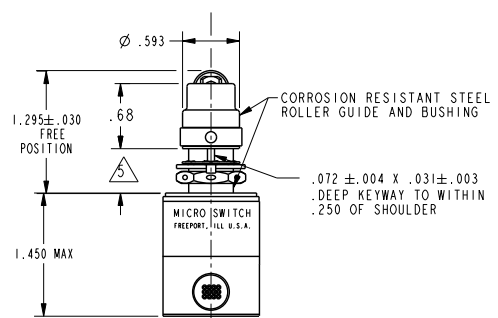
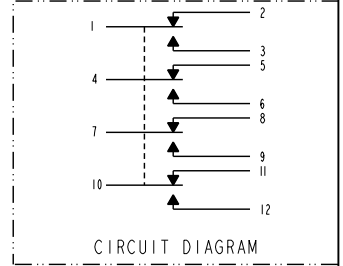
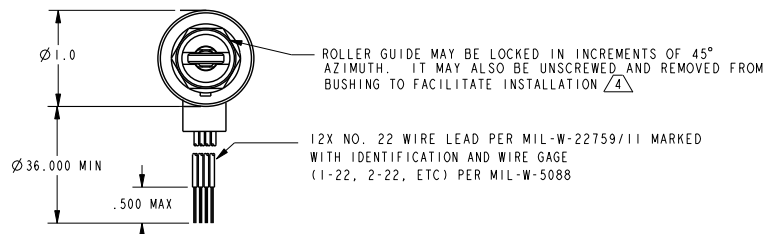


HONEYWELL
PART NUMBER
624EN346-3

REV	DOCUMENT	CHANGED BY	CHECK
A	0016414	TSG 19OCT05	RJ



CHARACTERISTICS	
OPERATING FORCE	6-12 LB
FULL OVERTRAVEL FORCE	30 LB MAX
RELEASE FORCE	4 LB MIN
PRETRAVEL	.040 MAX
DIFFERENTIAL TRAVEL	.020 MAX
OVERTRAVEL	.125 MIN

ELECTRICAL DATA		
CONTACT ARRANGEMENT 4X SPDT		
LOAD	28 VDC	
	SEA LEVEL	50,000 FT
RES	4	
IND	2	

- NOTES
- CORROSION RESISTANT STEEL ENCLOSURE
 - SWITCH SEALED PER MIL-PRF-8805 SYMBOL 4
 - CIRCUIT DIAGRAM AND CATALOG LISTING AND FED. MFG. CODE ARE SHOWN ON NAMEPLATE
 - TO ADJUST ROLLER DIRECTION REMOVE ROLLER GUIDE LOCK RING SCREW ROLLER GUIDE TO DESIRED DIRECTION, SECURE BY REPLACING ROLLER GUIDE LOCK RING
 - ROLLER GUIDE LOCATION CAN VARY BETWEEN $.292$ AND $.450$ WHILE MAINTAINING $.125$ MIN OVERTRAVEL
 - REPLACEMENT MOUNTING HARDWARE - PACKET 19PA9
 - REPLACEMENT ROLLER GUIDE AND LOCK RING - PACKET 15PA105
 - REPLACEMENT LOCK RING - PACKET 15PA107
 - HARDWARE MAY BE PACKAGED UNASSEMBLED PER MIL-PRF-8805
 - COINCIDENCE OF OPERATING AND RELEASING POINTS: $.010$ INCH OF PLUNGER TRAVEL

DESIGN UNITS: INCH	DRAWN	TSG	13 OCT 05
TOLERANCES UNLESS NOTED:	CHECK	-	-
NO PLACE .X ±	THIS DRAWING COVERS A PROPRIETARY ITEM AND IS THE PROPERTY OF HONEYWELL. THIS DRAWING IS NOT TO BE COPIED OR USED WITHOUT THE PERMISSION OF HONEYWELL.		
ONE PLACE .XX ±	INTERPRET PER ANSI Y14.5M-1982 OTHER HONEYWELL ENGINEERING STANDARDS MAY APPLY		
TWO PLACE .XXX ±	Pro/ENGINEER 2D		
THREE PLACE .XXXX ±	SCALE -		
FOUR PLACE .XXXXX ±	SHEET 1 OF 1		
ANGLES X ±	REV A		

Honeywell

SWITCH, ENCLOSED

SIZE **B** TYPE **I** DRAWING NAME **624EN346-3** REV **A**