

**M BZ-2R-A22**  
 PAGE 1 OF 1

DRAWING NUMBER

ISSUE **3**

REPLACES

RELEASE NO. SR12483

CHECK

CHECK

21 SEP 66

LSD

CHECK

66

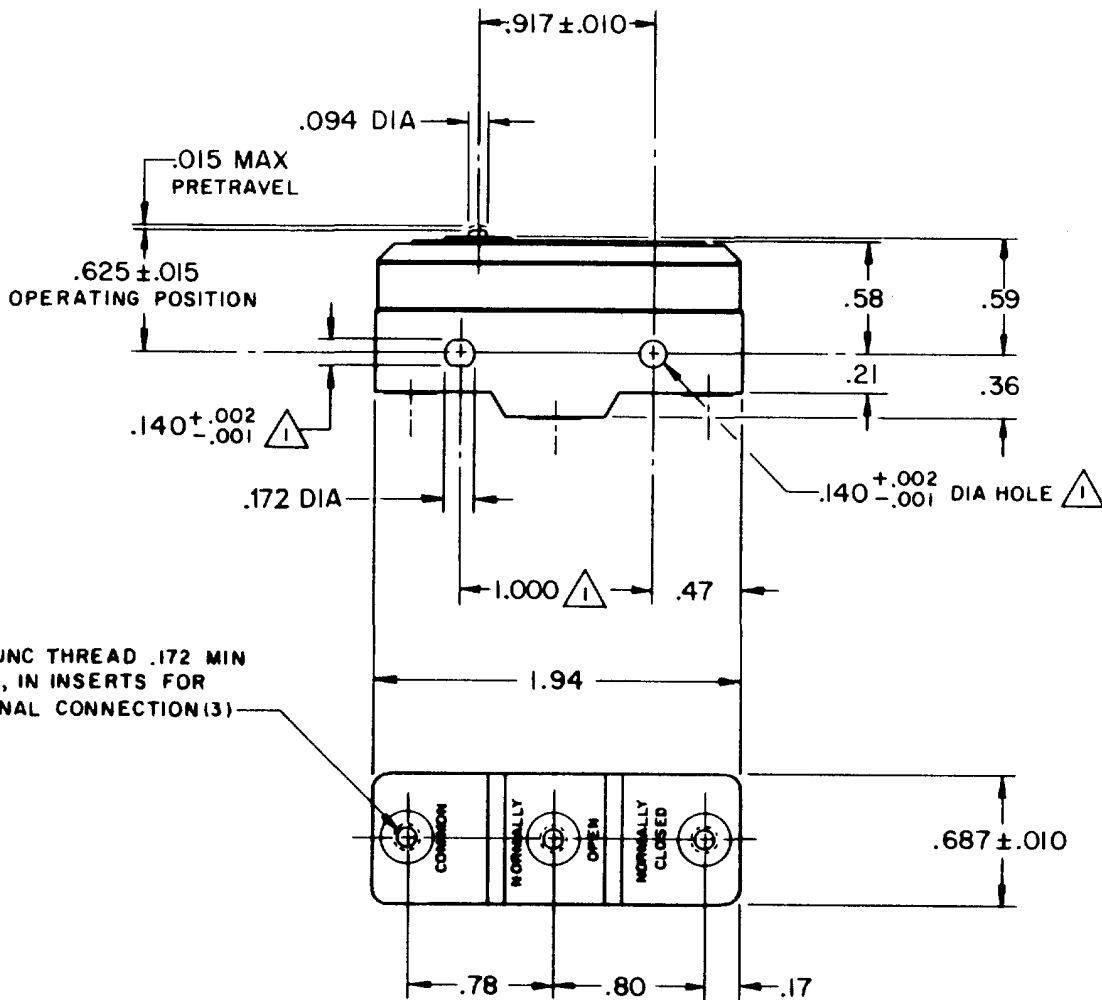
21 SEP

O M W

REVISIONS

A	CO-77589
	K D R 29 MAR 94
B	CO93346
	DLT 4 SEP 98

FORMTEK  
 FC-50378



6-32 UNC THREAD .172 MIN DEPTH, IN INSERTS FOR TERMINAL CONNECTION(3)

NOTE  
 MOUNTING HOLES WILL ACCEPT PINS OR SCREWS OF .139 MAX DIA ON 1.000 ± .002 CENTERS

THIS DRAWING COVERS A PROPRIETARY ITEM AND IS THE PROPERTY OF MICRO SWITCH, A DIVISION OF HONEYWELL. THIS DRAWING IS NOT TO BE COPIED OR USED WITHOUT THE APPROVAL OF MICRO SWITCH.

**CHARACTERISTICS**

OPERATING FORCE - - - - - 9-13 OZ  
 RELEASE FORCE - - - - - 4 OZ MIN  
 DIFFERENTIAL TRAVEL - - - .0004 - .0020  
 OVERTRAVEL - - - - - .005 MIN

**ELECTRICAL DATA**

CONTACT ARRANGEMENT  
 S P D T

UNDERWRITERS' LAB. INC. LISTED RATING  
 -L96- 15 A - 125, 250, OR 480 VAC  
 1/2 A - 125 VDC; 1/4 A - 250 VDC  
 1/8 HP - 125 VAC, 1/4 HP - 250 VAC

-L288-  
 -L299-  
 -L306-

CE D S  
 16A 250V ~ T85 5E4

**SCALE FULL**

DO NOT SCALE PRINT

UNLESS OTHERWISE NOTED  
 DIMENSIONS ARE IN INCHES  
**TOLERANCES ARE:**  
 ONE PLACE (.0) ± .030  
 TWO PLACE (.00) ± .015  
 THREE PLACE (.000) ± .005  
 ANGLES ±

WEIGHT .063 LB