

MICRO SWITCH

A DIVISION OF MINNEAPOLIS-HONEYWELL REGULATOR COMPANY
 FEDERAL MANUFACTURING CODE 91929

SWITCH - BASIC

CATALOG LISTING
YA-2RV-A2

ADP5000

CATALOG LISTING
YA-2RV-A2

M

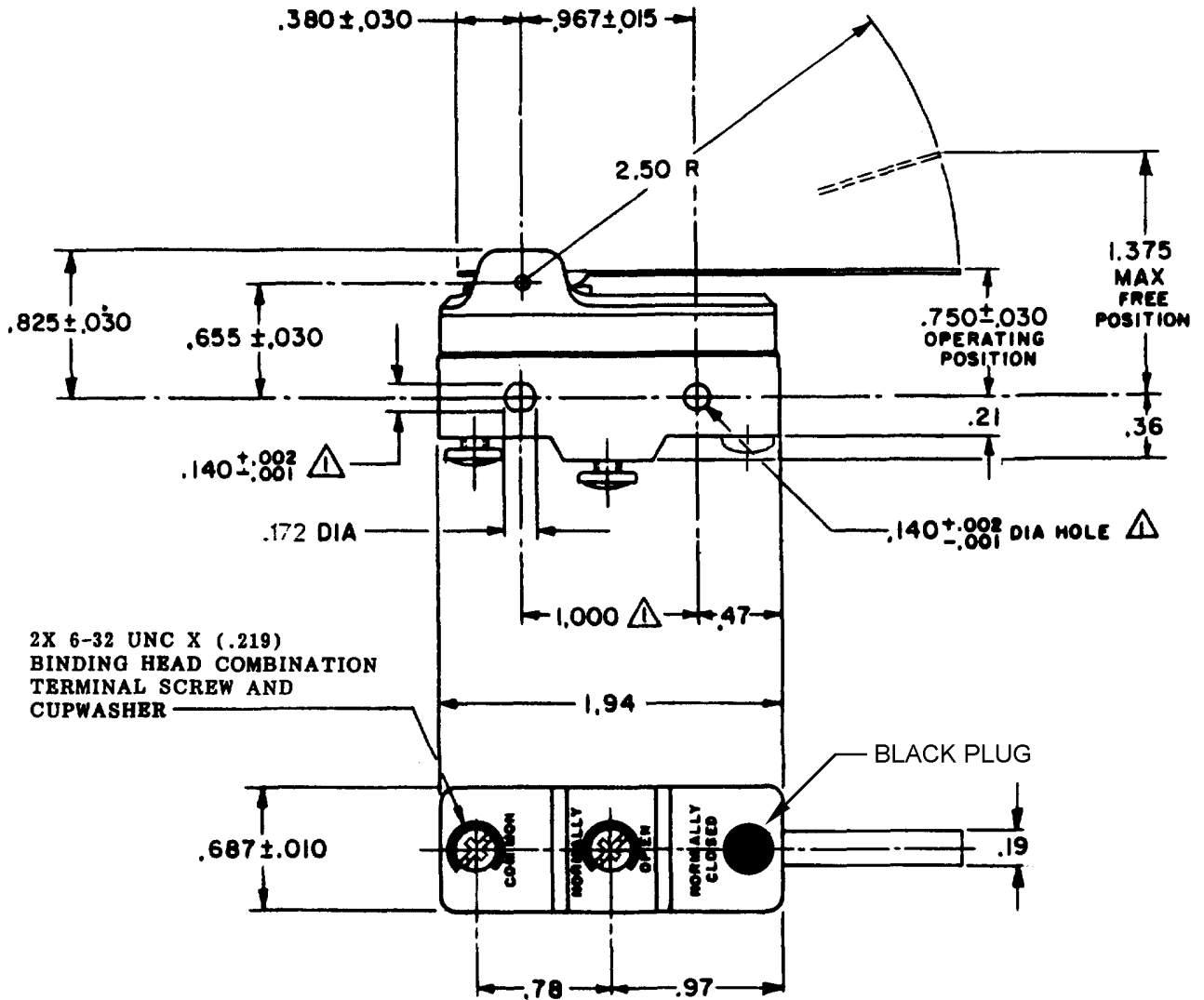
DRAWING NUMBER

ISSUE

9

REVISIONS

| | | |
|---|-----|-----------|
| A | CO | 15663 |
| B | CH | 15 DEC 61 |
| B | CO | 34312 |
| C | P | APR 61 |
| C | CO | 73287-J |
| D | JAL | 22 NOV 93 |
| D | CO | 77588 |
| E | KDR | 29 MAR 94 |
| E | CO | 93346 |
| F | DLT | 27 AUG 98 |
| F | CO | 0000770 |
| G | CSL | 8 JUL 03 |
| G | CO | 0018388 |
| | TGP | 17 FEB 06 |



NOTE
 ▲ MOUNTING HOLES WILL ACCEPT PINS OR SCREWS OF .139 MAX DIA ON 1.000 ± .002 CENTERS

THIS DRAWING COVERS A PROPRIETARY ITEM AND IS THE PROPERTY OF MICRO SWITCH, A DIVISION OF MINNEAPOLIS-HONEYWELL REGULATOR CO. THIS DRAWING IS NOT TO BE COPIED OR USED WITHOUT THE APPROVAL OF MICRO SWITCH.

| CHARACTERISTICS | ELECTRICAL DATA | SCALE --- FULL |
|------------------------------------|--------------------------------|----------------------------|
| OPERATING FORCE ----- 2 1/2 OZ MAX | CONTACT ARRANGEMENT S P NO | DO NOT SCALE PRINT |
| RELEASE FORCE ----- 1/2 OZ MIN | L23 | UNLESS OTHERWISE SPECIFIED |
| PRETRAVEL ----- .625 MAX | 20A - 125, 250 OR 480 VAC | DIMENSIONS ARE IN INCHES |
| DIFFERENTIAL TRAVEL ----- .109 MAX | 10A - 125 VAC "L" | TOLERANCES ARE: |
| OVERTRAVEL ----- .078 MIN | 1HP - 125 VAC, 2HP - 250 VAC | ONE PLACE (.0) ±.030 |
| | 1/2A - 125 VDC, 1/4A - 250 VDC | TWO PLACE (.00) ±.015 |
| | L288 | THREE PLACE (.000) ±.005 |
| | L308 | ANGLES ± |
| | L315 | WEIGHT |
| | 20(3)A 250V ~ T85 5E4 | |

RASTER
 1-50376
 DRAWN
 G C H 15 DEC 61
 CHECK
 DAW
 9 JAN 62
 CHECK
 RJ
 17 FEB 06
 CHECK