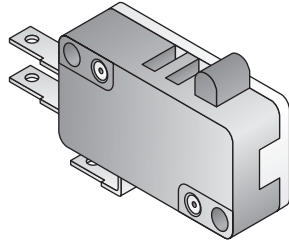
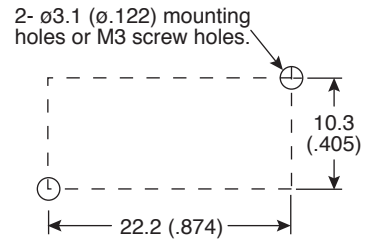


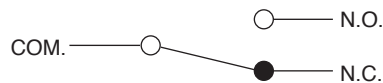
Dimensions: mm (In.)



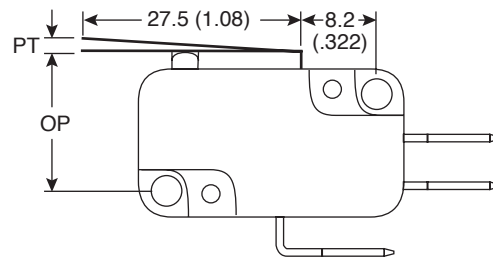
MOUNTING HOLES



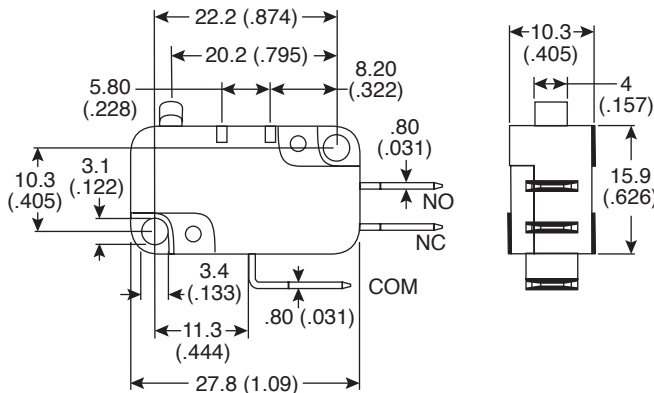
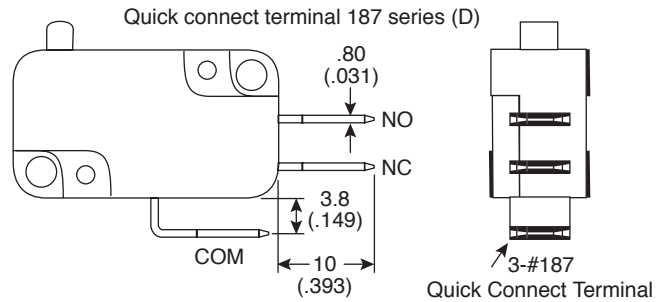
CONTACT CONFIGURATION



OPERATING CHARACTERISTICS



TERMINAL TYPES



Electrical Specifications:

- Rating: 16A/125-250VAC
- Insulation Resistance (at 500VDC): 100MΩ Min.
- Dielectric Strength: 1,000VAC RMS(50-60HZ)
- Contact Resistance (Initial): 30mΩ Max.
- Electrical Operating Frequency: 10-30 operations/min.
- Operating Speed: 0.1mm to 1m/sec.
- Electrical Life: 6,000~100,000 operations(Min.)

Mechanical Specifications:

- Mechanical Operating Frequency: 300 operations/min.
- Mechanical Life: 5,000,000 operations(Min.)

Operating Characteristics:

- OF (g) max: 165
- OP (mm): 15.0±1.5
- PT max: 4.80mm
- OT min (mm): 1.0
- MD max (mm): 2.70

Miniature Snap Switch
SNS73-16-165ST-Q21



Available from Mouser Electronics

www.mouser.com

1-800-346-6873