

**MICRO SWITCH**  
a Honeywell Division

FED. MFG. CODE 91929

SWITCH — BASIC

CATALOG LISTING  
WZ-1R15365

CATALOG LISTING  
WZ-1R15365

PAGE 1 OF 1

REPLACES X94491-WZ

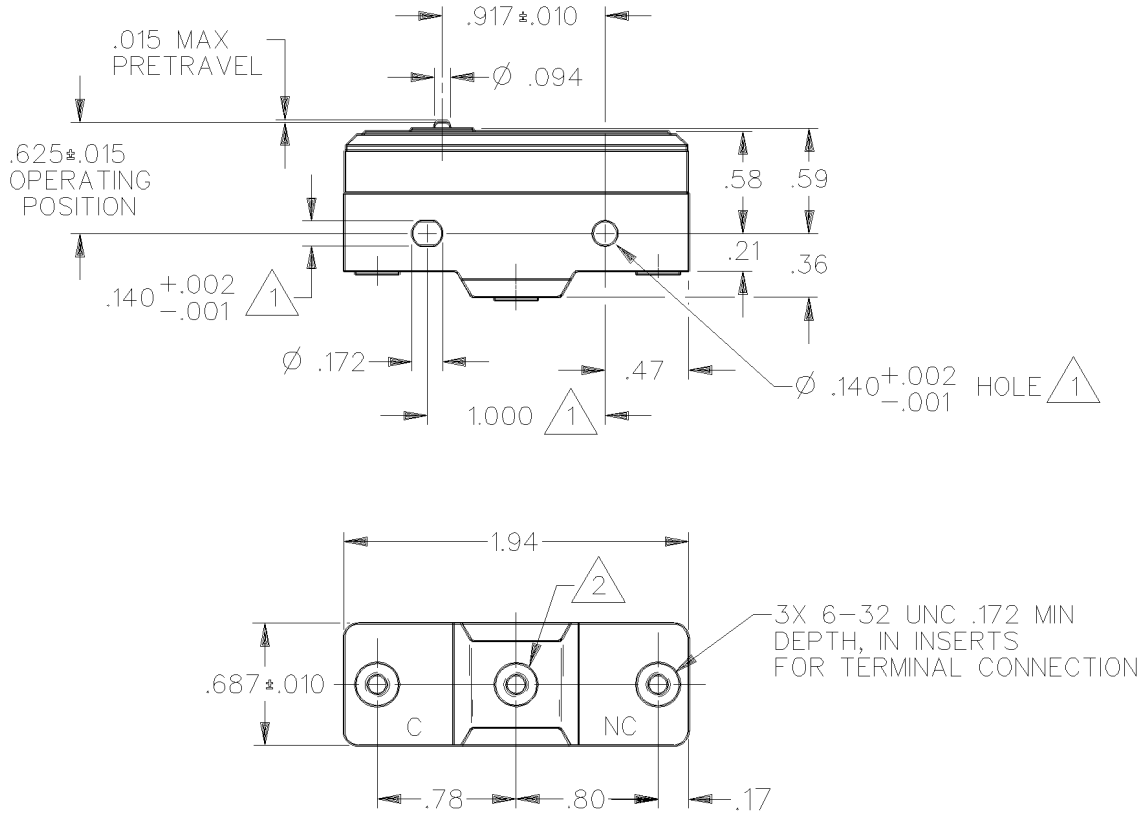
RELEASE NO. PR-19896

ISSUE  
**M**  
2

CHECK

REVISIONS  
A CO-80586  
K D R  
22 MAR 95

CHECK



NOTE  
 1 MOUNTING HOLES WILL ACCEPT PINS OR SCREWS OF  $\phi$  .139 MAX ON 1.000 ± .002 CENTERS  
 2 THREADED INSERT (NORMALLY OPEN) PROVIDED FOR EXTERNAL SCREW CONNECTION. THIS INSERT IS NOT ELECTRICALLY LIVE  
 3 — TERMINAL SCREWS FURNISHED UNASSEMBLED

ANSI Y14.5M-1982 APPLIES

THIS DRAWING COVERS A PROPRIETARY ITEM AND IS THE PROPERTY OF MICRO SWITCH, A DIVISION OF HONEYWELL. THIS DRAWING IS NOT TO BE COPIED OR USED WITHOUT THE APPROVAL OF MICRO SWITCH.

THIRD ANGLE PROJECTION

CHARACTERISTICS	ELECTRICAL DATA	SCALE FULL	DO NOT SCALE PRINT
OPERATING FORCE — — — — 7-10 OZ (198-294 GRAMS)	CONTACT ARRANGEMENT S P N C	UNLESS OTHERWISE SPECIFIED TOLERANCES ARE ONE PLACE (.0) ±.030 TWO PLACE (.00) ±.015 THREE PLACE (.000) ±.005 ANGLES ±	
RELEASE FORCE — — — — 4 OZ MIN (113 GRAMS)	25A 12VDC		
DIFFERENTIAL TRAVEL — — .0005-.0010 (.0127-.0254 mm)			
OVERTRAVEL — — — — .005 MIN (.13 mm MIN)			
WEIGHT .060 LB			

DDM/CAD

DRAWN  
G R T 19 FEB 92

CHECK

CHECK

CHECK

CHECK

CHECK

CHECK