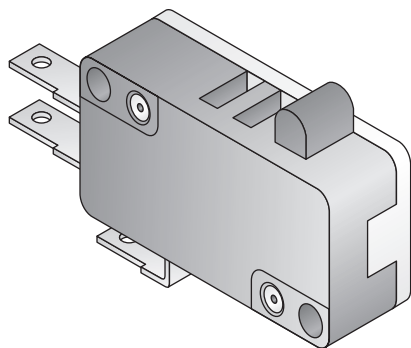
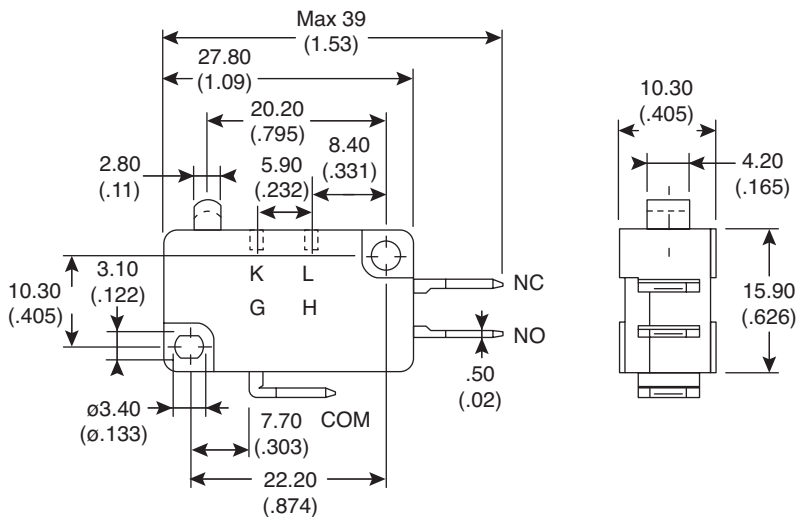
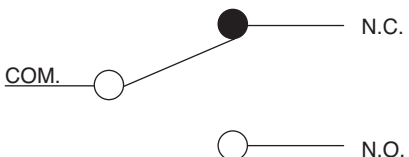


Dimensions: mm (In.)

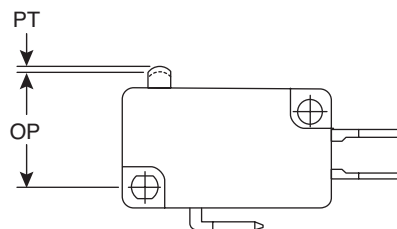


Contact Configuration

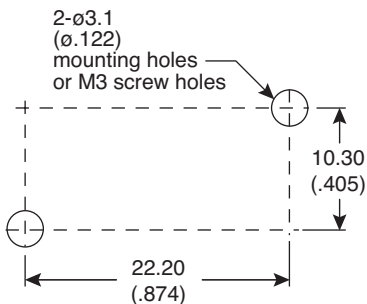
S.P.D.T.



Operating Characteristics

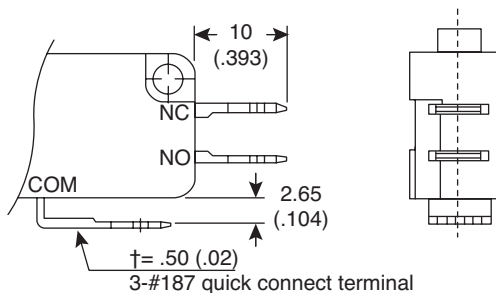


Mounting Holes



Terminal Type

Quick connect terminal 187 series



Mechanical Specifications:

- Mechanical Operating Frequency: 300 operations/min
- Mechanical Life: 5,000,000~10,000,000 operations

Electrical Specifications:

- Rating: 3A/125/250 VAC
- Insulation Resistance (at 500VDC): 100MΩ Min.
- Dielectric Strength: 1,000VAC RMS (50-60HZ)
- Contact Resistance (initial): 30mΩ, 100mΩ Max.
- Electrical Operating Frequency: 10~30 operations/min
- Electrical Life: 6,000~100,000 operations

Operating Characteristics:

- OF Max. (g): 75
- OP (mm): 14.7±0.5
- PT Max. (mm): 1.20
- OT Min. (mm): 0.80
- MD Max. (mm): 0.25

Miniature Snap Switch
SNS21-03-075XX-Q21

