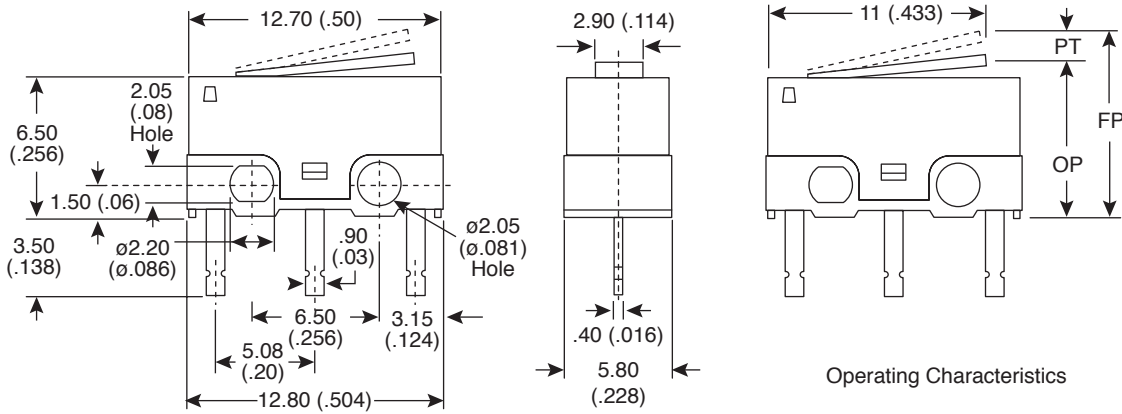
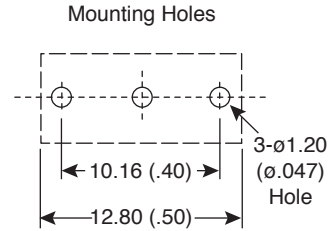
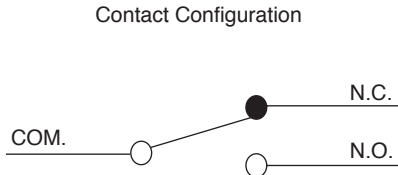
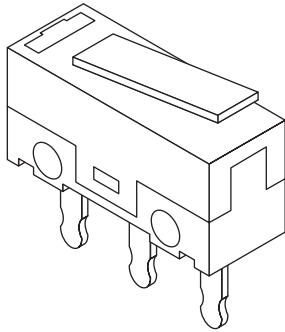


Dimensions: mm (In.)



Operating Characteristics

Mechanical Specifications:

- Mechanical Operating Frequency: 120 operations
- Mechanical Life: 1,000,000 operations min.

Electrical Specifications:

- Rating: 3A/125VAC; 0.2A/60VDC
- Electrical Operating Frequency: 10~30 operations
- Contact Resistance (initial): 30~100mΩ max.
- Insulation Resistance (at 500VDC): 100MΩ min.
- Dielectric Strength: 1,000VAC RMS (50-60HZ)
- Electrical Life (at rated load): 6,000~15,000 operations

Operating

Characteristics:

- OF Max. (g): 70
- OP (mm): 7.9±0.8
- PT Max. (mm): 3.4
- OT Min. (mm): 0.6
- MD Max. (mm): 1.0
- FP Max. (mm): 10.5
- RF Min. (g): 10

Super-Miniature Snap Switch
SNS13-03-070ST-P01



Available from Mouser Electronics

www.mouser.com

1-800-346-6873