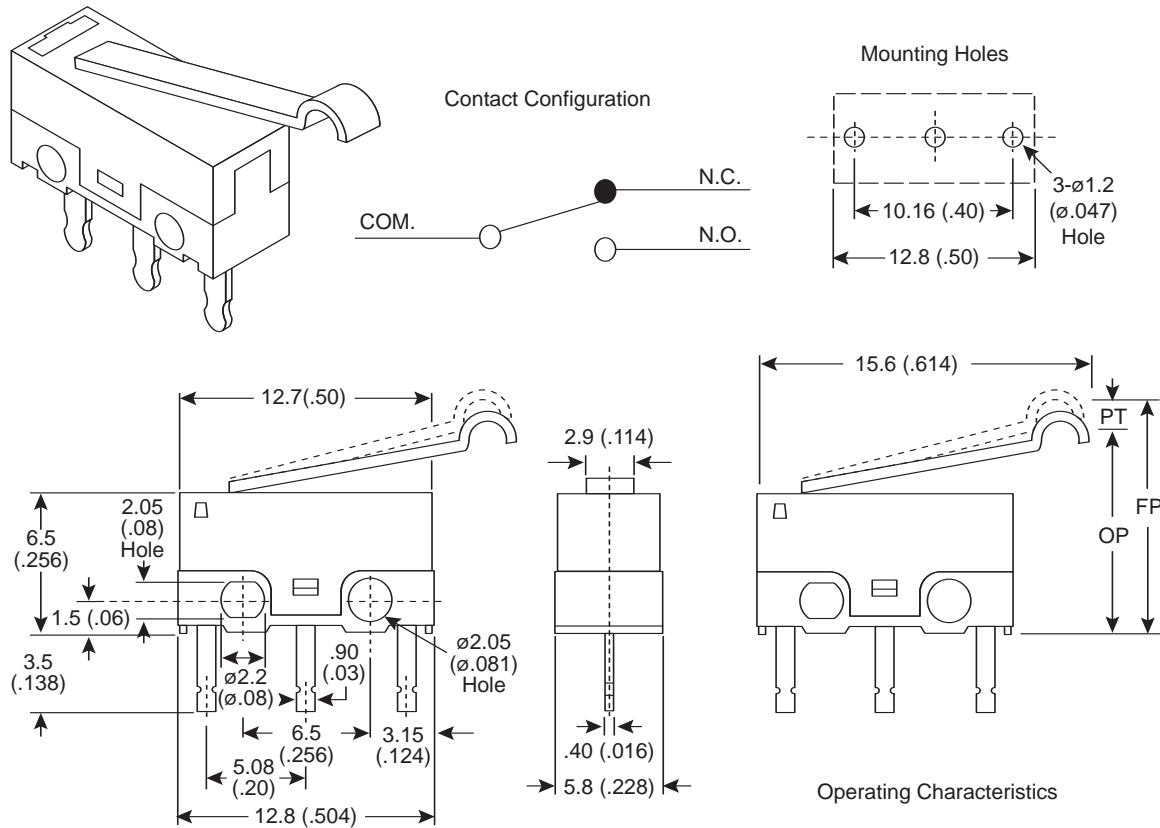


Dimensions: mm (In.)

**Mechanical Specifications:**

- Mechanical Operating Frequency: 120 operations
- Mechanical Life: 1,000,000 operations min.

Electrical Specifications:

- Rating: 3A/125VAC; 0.2A/60VDC
- Electrical Operating Frequency: 10~30 operations
- Contact Resistance (initial): 30~100mΩ max.
- Insulation Resistance (at 500VDC): 100MΩ min.
- Dielectric Strength: 1,000VAC RMS (50-60HZ)
- Electrical Life (at rated load): 6,000~15,000 operations

Operating Characteristics:

- OF Max. (g): 45
- OP (mm): 10.5±.80
- PT Max. (mm): 3.8
- OT Min. (mm): .60
- MD Max. (mm): 1.5
- FP Max. (mm): 13.5
- RF Min. (g): 7

Super-Miniature Snap Switch
SNS13-03-045SR-P01

**Mountain
Switch**

Available from Mouser Electronics

www.mouser.com

1-800-346-6873