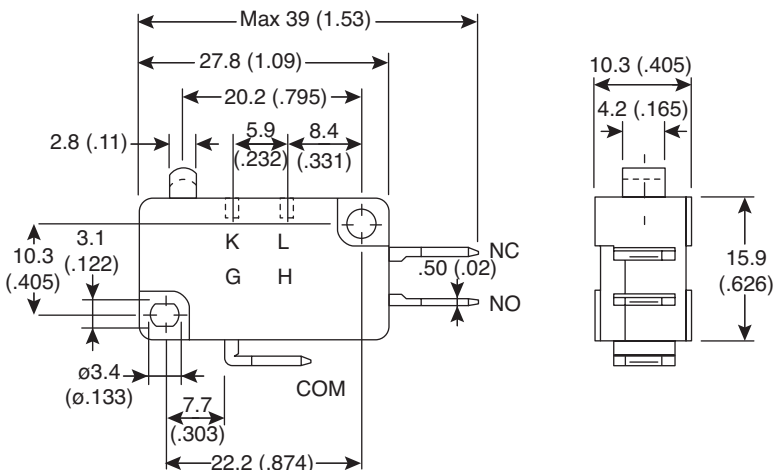
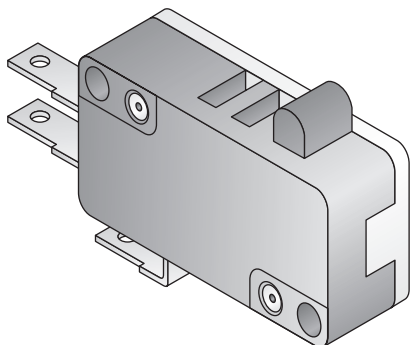
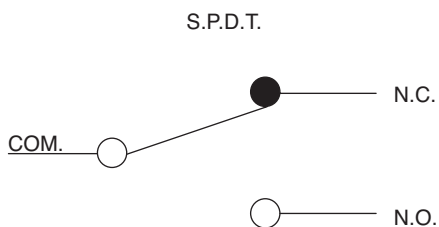


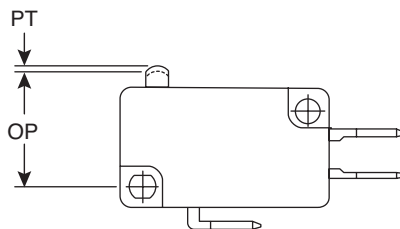
Dimensions: mm (In)



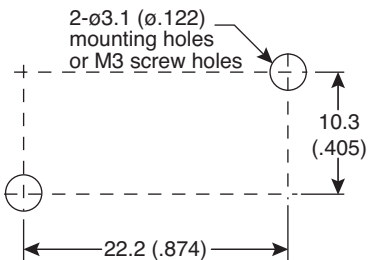
Contact Configuration



Operating Characteristics

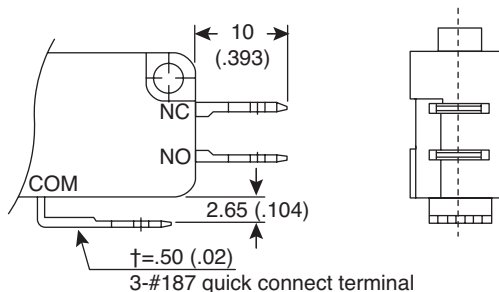


Mounting Holes



Terminal Type

Quick connect terminal 187 series



Electrical Specifications:

- Rating: 15A / 125/250 VAC
- Insulation Resistance (at 500VDC): 100M $\Omega$  Min.
- Dielectric Strength: 1,000VAC RMS (50-60HZ)
- Contact Resistance (initial): 30m $\Omega$ , 100m $\Omega$  Max.
- Electrical Operating Frequency: 10~30 operations/min
- Electrical Life: 6,000~100,000 operations

Mechanical Specifications:

- Mechanical Operating Frequency: 300 operations/min
- Mechanical Life: 5,000,000~10,000,000 operations

Operating Characteristics:

- OF Max. (g): 330
- OP (mm): 14.7 $\pm$ 0.5
- PT Max. (mm): 1.20
- OT Min. (mm): 0.80
- MD Max. (mm): 0.25

Miniature Snap Switch  
 SNS21-15-330XX-Q21

