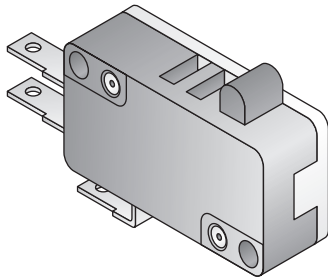
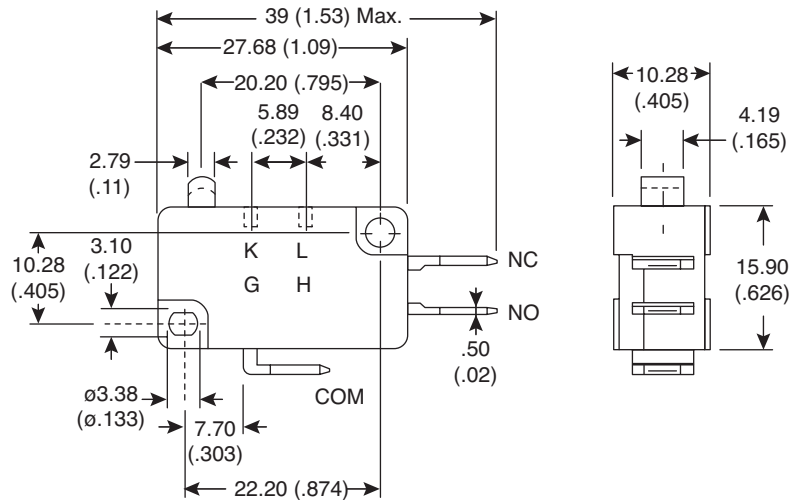
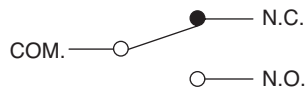


Dimensions: mm (In.)



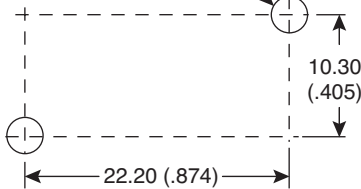
Contact Configuration

S.P.D.T.

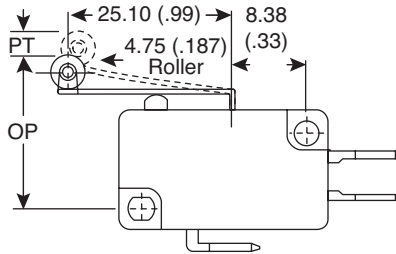


Mounting Holes

2- $\phi 3.10$ ($\phi .122$) mounting holes or M3 screw holes

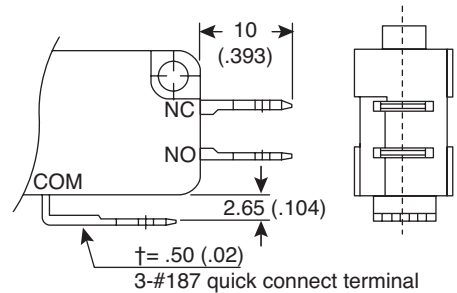


Operating Characteristics



Terminal Type

Quick connect terminal 187 series



Mechanical Specifications:

- Operating Frequency: 300 operations/min
- Life: 5,000,000~ 10,000,000 operations

Note:

- RoHS Compliant and Process Compatible with 260° solder.

Electrical Specifications:

- Rating: 15A/125VAC/250VAC
- Insulation Resistance (at 500VDC): 100M Ω min.
- Dielectric Strength: 1,000VAC RMS (50-60HZ)
- Contact Resistance (initial): 30m Ω , 100m Ω max.
- Operating Frequency: 10~30 operations/min
- Life: 6,000~100,000 operations

Operating Characteristics:

- OF Max. (g): 180
- OP (mm): 20.7 \pm 1.5
- PT Max. (mm): 3.18
- OT Min. (mm): 1.60
- MD Max. (mm): 0.76

Miniature Snap Switch
101-21-15-180RR-EV

