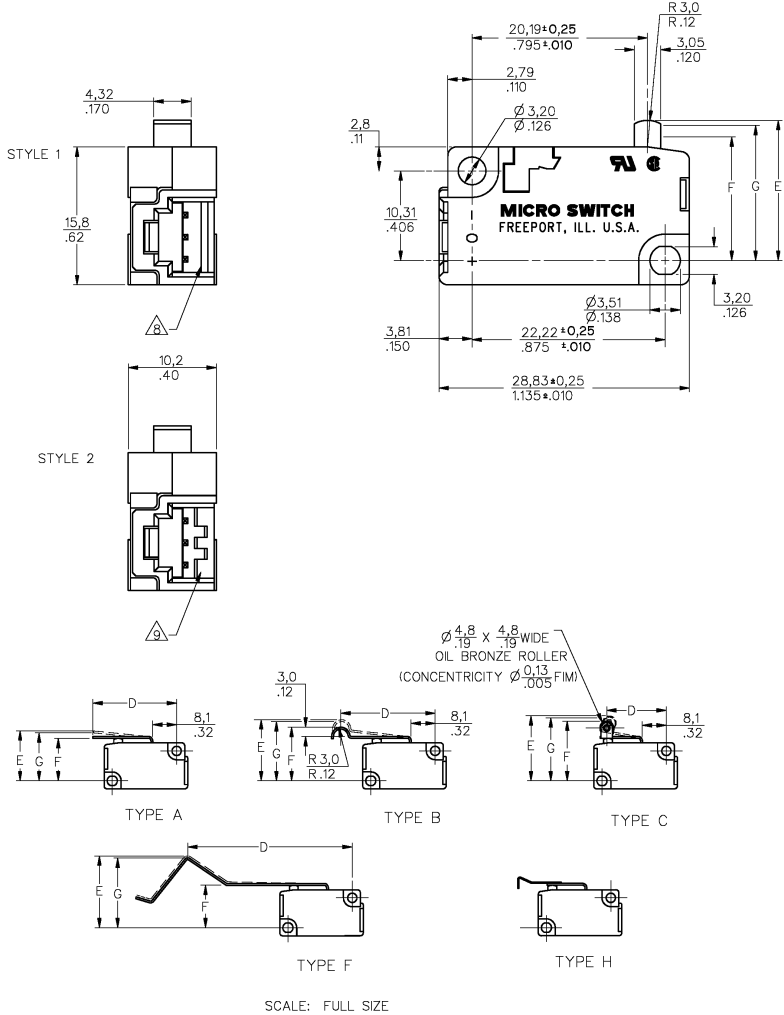


M VX SERIES
CHART 1



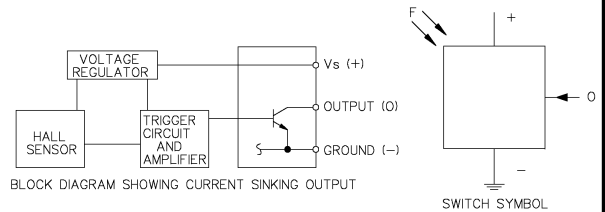
ABSOLUTE MAXIMUM RATINGS

SUPPLY VOLTAGE (Vs)	-24 TO +28 VOLTS DC
VOLTAGE EXTERNALLY APPLIED TO OUTPUT	28 VOLTS DC MAX WITH OUTPUT TRANSISTOR IN OFF CONDITION ONLY /TV6/
	-0.5 VOLTS MIN WITH OUTPUT TRANSISTOR IN ON OR OFF CONDITION /TV6/
LOAD ON OUTPUT	20mA
TEMPERATURE /TT/	-40°C TO +70°C EXCEPT SPECIAL LISTINGS

ELECTRICAL CHARACTERISTICS

	MIN	TYP	MAX	REMARKS
SUPPLY CURRENT /TA/	5mA		15mA	OUTPUT TRANSISTOR OFF /6/
OUTPUT VOLTAGE /TV3/ (OUTPUT TRANSISTOR ON) /SV6/	0.15V		0.4V	SINKING 10mA MAX
OUTPUT LEAKAGE CURRENT (OUTPUT TRANSISTOR OFF) /AV6/			10µA	LEAKAGE INTO SWITCH OUTPUT
OUTPUT SWITCHING TIME (SINKING 10mA) /3V3/				
RISE TIME	0.5µs	1.5µs	10% TO 90%	
FALL TIME	0.5µs	1.0µs	90% TO 10%	

- NOTES**
- /TA/ REFER TO CHART TO DETERMINE THE UNACTUATED OUTPUT VOLTAGE AND OUTPUT TRANSISTOR STATE
 - /TV3/ AT 24°C ± 2°C AND SUPPLY VOLTAGE OF 4.5 TO 24 VOLTS DC OVER A TEMPERATURE RANGE OF 0°C TO +70°C
 - /AV6/ LEVER MAY NOT BE SELF RETURNING WHEN MOUNTED WITH WEIGHT OF LEVER ON SWITCH PLUNGER
 - /SV6/ SUPPLY VOLTAGE OF 4.5 TO 24 VOLTS DC
 - /6/ "TRANSISTOR ON" CONDITION IS DEFINED TO BE WHEN THE OUTPUT TRANSISTOR IS CONDUCTING CURRENT
 - 7 - BLACK PLUNGER INDICATES NORMALLY HIGH OUTPUT; RED PLUNGER INDICATES NORMALLY LOW OUTPUT
 - /AV6/ ACCEPTS CONNECTOR EQUIVALENT TO AMP PART NO. 102241-1
 - /3V3/ ACCEPTS CONNECTOR EQUIVALENT TO MOLEX PART NO. 50-57-9403
 - /TT/ SPECIAL LEVER FORM
 - /TT/ SPECIAL TEMPERATURE FOR GE -40°C TO +60°C



21 M VX SERIES CHART 1
 10992
 13, AN89
 PR-12882
 X809886-VX
 REV 1 1.08
 A 0579962
 B 73 98
 C 0083741
 D 0963780
 E 0223775
 F 0223783
 G 0223782
 H 0083847
 I 0083780
 J 0083780
 K 0083780
 L 0083780
 M 0083780
 N 0083780
 O 0083780
 P 0083780
 Q 0083780
 R 0083780
 S 0083780
 T 0083780
 U 0083780
 V 0083780
 W 0083780
 X 0083780
 Y 0083780
 Z 0083780
 FORMTEK
 J.A. F. FEB85
 13, AN89
 PR-12882
 X809886-VX

THIS DRAWING COVERS A PROPRIETARY ITEM AND IS THE PROPERTY OF MICRO SWITCH, A DIVISION OF HONEYWELL. THIS DRAWING IS NOT TO BE COPIED OR USED WITHOUT THE APPROVAL OF MICRO SWITCH.

MICRO SWITCH
a Honeywell Division

SWITCH - SOLID STATE

CATALOG LISTING
VX SERIES
CHART 1

THIRD ANGLE PROJECTION

SCALE 3 : 1

DO NOT SCALE PRINT

UNLESS OTHERWISE SPECIFIED TOLERANCES ARE

ONE PLACE (L0) ±.030

TWO PLACES (L00) ±.015

THREE PLACES (L000) ±.005

ANGLES ±

WEIGHT

FED. MFG. CODE 61929

"D" LEVER ACTUATION POINT	LEVER TYPE	"E" FREE POSITION (MAX)	"F" OPERATION POINT (MIN)	"G" RELEASE POINT (MAX)	OVER-TRAVEL (MIN)	DIFF TRAVEL (MIN)	FORCE AT OPERATE POINT		UNACTUATED OUTPUT VOLTAGE	OUTPUT TRANSISTOR	CATALOG LISTING		
							OUNCES	GRAMS			STYLE 1	STYLE 2	
.795	NONE	16.38 .645	14.22 .580	15.54 .612	.102	.005 .002	.35	+18	10 +5	HIGH	OFF	VX10	VX12
							3.0*	88	85*25	HIGH	OFF	VX80	(H)
.860	A	17.27 .680	14.71 .579	16.33 .643	.102	.005 .002	.35*	+2	10*5	HIGH	OFF	VX10-A1	VX12-A1
							2.8*	1.1	80*30	HIGH	OFF	VX80-A1	(H)
							0.2*	+1	5 -2	LOW	ON	VX10-A2	(H)
							1.4*	+50	40*15	LOW	ON	VX80-A2	VX82-A2
2.340	A	22.58 .889	12.62 .497	18.97 .747	4.06 .160	0.20 .008	.10*	0.7	3*2	HIGH	OFF	VX10-A3	VX12-A3
							.75	+35	21+9	HIGH	OFF	VX80-A3	(H)
							0.20*	+15	5 +4	LOW	ON	VX10-B1	VX12-B1
							1.55*	5.3	44*15	LOW	ON	VX80-B1	VX82-B1
.810	C	22.48 .885	19.99 .787	21.62 .851	.102	.005 .002	.40*	2.0	12*5	HIGH	OFF	VX10-C1	VX12-C1
							3.0*	1.06	85*30	HIGH	OFF	VX80-C1	(H)
							.35	+18	10 +5	LOW	ON	VX10-GE	
								-14	10 -4				
1.226	F	25.73 1.013	21.72 .855	23.98 .944	.165 .065	0.13 .005	.35	+18	10 +5	HIGH	OFF	VX10-F1	
								-14	10 -4				
1.250	F	25.58 1.007	21.72 .855	23.83 .938	.165 .065	0.13 .005	.35	+18	10 +5	HIGH	OFF	VX10-FA	

NOTE
 MEASUREMENTS TAKEN OVER PLUNGER

FORMTEK
 DRAWING
 J. A. S. BAUCOR
 CHECKED: J. A. F. LOBDECOR
 DATE: J. A. F. 13 JAN 99
 ISSUE: 21
 VX SERIES CHART 1
 PAGE 2 OF 4
 REVISION: X80986-VX

REVISIONS
 1
 2
 3
 4
 5
 6
 7
 8
 9
 10
 11
 12
 13
 14
 15
 16
 17
 18
 19
 20
 21
 22
 23
 24
 25
 26
 27
 28
 29
 30



THIS DRAWING COVERS A PROPRIETARY ITEM AND IS THE PROPERTY OF MICRO SWITCH, A DIVISION OF HONEYWELL. THIS DRAWING IS NOT TO BE COPIED OR USED WITHOUT THE APPROVAL OF MICRO SWITCH.

MICRO SWITCH
 a Honeywell Division

SWITCH - SOLID STATE

CATALOG LISTING
VX SERIES
 CHART 1

MASTER REDUCED
 ANSI Y14.5M-1982 APPLIES

THIRD ANGLE PROJECTION

SCALE NONE

DO NOT SCALE PRINT

UNLESS OTHERWISE SPECIFIED TOLERANCES ARE

ONE PLACE (L) ±.030

TWO PLACES (L) ±.015

THREE PLACES (L) ±.005

ANGLES ±

WEIGHT

UNLESS OTHERWISE NOTED MECHANICAL CHARACTERISTICS ARE GIVEN ON LEVER OVER PLUNGER

"D" LEVER ACTUATION POINT	LEVER TYPE	"E" FREE POSITION (MAX)	"F" OPERATION POINT (MIN)	"G" RELEASE POINT (MAX)	OVER-TRAVEL (MIN)	DIFF. TRAVEL (MIN)	FORCE AT OPERATE POINT		UNACTUATED OUTPUT VOLTAGE	OUTPUT TRANSISTOR	CATALOG LISTING		IBM DRAWING NO.	COMMENTS
							OUNCES	GRAMS			STYLE 1	STYLE 2		
.795	F	17.02 .670	14.86 .585	16.18 .637	0.91 .036	0.05 .002	.35	+18 -14	10 -4	HIGH	OFF	VX10-F1	4592340	
.795	F	17.02 .670	14.86 .585	16.18 .637	0.91 .036	0.05 .002	.35	+18 -14	10 -4	HIGH	OFF	(F)	4593242	
.795	F	17.02 .670	14.86 .585	16.18 .637	0.91 .036	0.05 .002	.35	+18 -14	10 -4	HIGH	OFF	(E)	4593470	
.795	F	17.02 .670	14.86 .585	16.18 .637	0.91 .036	0.05 .002	.35	+18 -14	10 -4	HIGH	OFF	(E)	4592552	

IBM CORPORATION SWITCHES ONLY THIS PAGE

DRAWING NUMBER: VX SERIES CHART 1
 PAGE 4 OF 4
 ISSUE 21
 RELEASE NO. PR-14487
 PARTS LIST: X80986-VX
 REVISIONS:
 A 0084022
 B 0084022
 C 0084022
 D 0084022
 E 0084022
 F 0084022
 G 0084022
 H 0084022
 I 0084022
 J 0084022
 K 0084022
 L 0084022
 M 0084022
 N 0084022
 O 0084022
 P 0084022
 Q 0084022
 R 0084022
 S 0084022
 T 0084022
 U 0084022
 V 0084022
 W 0084022
 X 0084022
 Y 0084022
 Z 0084022
 J. A. STANGOR
 FORMTEK
 DRAWN



THIS DRAWING COVERS A PROPRIETARY ITEM AND IS THE PROPERTY OF MICRO SWITCH, A DIVISION OF HONEYWELL. THIS DRAWING IS NOT TO BE COPIED OR USED WITHOUT THE APPROVAL OF MICRO SWITCH.



MASTER REDUCED ANSI Y14.5M-1982 APPLIES

SWITCH - SOLID STATE

CATALOG LISTING
 VX SERIES
 CHART 1

THIRD ANGLE PROJECTION	
SCALE	NONE
DO NOT SCALE PRINT	
UNLESS OTHERWISE SPECIFIED TOLERANCES ARE	
ONE PLACE (L)	±.030
TWO PLACES (L, O)	±.015
THREE PLACES (L, O, O)	±.005
ANGLES	±
WEIGHT	

"D" LEVER ACTUATION POINT	LEVER TYPE	"E" FREE POSITION (MAX)	"F" OPERATION POINT (MIN)	"G" RELEASE POINT (MAX)	OVER- TRAVEL (MIN)	DIFF TRAVEL (MIN)	FORCE AT OPERATE POINT		UNACTUATED OUTPUT VOLTAGE	OUTPUT TRANSISTOR (6V)	CATALOG LISTING	
							OUNCES	GRAMS			STYLE 1 (8)	STYLE 2 (9)
.795	NONE	16.38 .645	14.22 .560	15.54 .612	.102	.005 .002	.35 +.18	10 +5	HIGH	OFF	VX10	VX12
							-.14	10 -4	LOW	ON	VX11	VX13
.860	A	17.27 .680	14.71 .579	16.33 .643	.102	.005 .002	3.0+.88	85+25	HIGH	OFF	VX80	(H)
							.35+.2	10+5	LOW	ON	VX10-A1	VX12-A1
									HIGH	OFF	VX80-A1	(H)
							2.8+1.1	80+30	LOW	ON	VX81-A1	(H)
1.400	A	19.28 .759	13.94 .549	17.32 .682	2.16 .085	0.10 .004	0.2+1	5 +3	HIGH	OFF	VX10-A2	(H)
							.35+.2	10+5	LOW	ON	VX11-A1	VX13-A2
									HIGH	OFF	VX80-A2	VX82-A2
							1.41+.50	40+15	LOW	ON	VX81-A2	(H)
2.340	A	22.58 .889	12.62 .497	18.97 .747	4.06 .160	0.20 .008	10+.07	3+2	HIGH	OFF	VX10-A3	VX12-A3
							.75 +.35	21+9	LOW	ON	VX11-A3	(H)
									HIGH	OFF	VX80-A3	(H)
							0.20+.15	5 +4	LOW	ON	VX81-A3	(H)
1.285	B	22.23 .875	17.02 .670	20.52 .808	1.91 .075	0.10 .004	.35 +.18	10 +5	HIGH	OFF	VX10-B1	VX12-B1
							.35 +.18	10 +5	LOW	ON	VX11-B1	VX13-B1
									HIGH	OFF	VX80-B1	(H)
							1.55+.53	44+15	LOW	ON	VX81-B1	(H)
.810	C	22.48 .885	19.99 .787	21.62 .851	1.02 .040	.005 .002	40+.20	12+5	HIGH	OFF	VX10-C1	VX12-C1
							.35 +.18	10 +5	LOW	ON	VX11-C1	VX13-C1
									HIGH	OFF	VX80-C1	(H)
							3.0+1.06	85+30	LOW	ON	VX81-C1	(H)
.795 A	A	17.78 .700	14.73 .580	16.13 .635	.102 .040	0.10 .004	.35 +.18	10 +5	LOW	ON	VX81-A2-GE	
							-.14	10 -4				
1.226	F	25.73 1.015	21.72 .855	23.98 .944	1.65 .065	0.13 .005	.35 +.18	10 +5	HIGH	OFF	VX10-F1	
							-.14	10 -4			VX11-F1	
1.250	F	25.58 1.007	21.72 .855	23.83 .938	1.65 .065	0.13 .005	.35 +.18	10 +5	HIGH	OFF	VX10-FA	
							-.14	10 -4				

NOTE
A MEASUREMENTS TAKEN OVER PLUNGER

FORMTEK
 DRAWING
 J. A. S. BAUCER
 CHECKED
 J. A. F. LOBDEGERS
 CHECKED
 J. A. F. LINDANSON
 CHECKED
 21
 ISSUE
 21
 M
 VX SERIES CHART 1
 PAGE 2 OF 4
 RELEASE NO. PR-12882
 REVISIONS
 X80986-VX



MASTER REDUCED
ANSI Y14.5M-1982 APPLIES

THIS DRAWING COVERS A PROPRIETARY ITEM AND IS THE PROPERTY OF MICRO SWITCH, A DIVISION OF HONEYWELL. THIS DRAWING IS NOT TO BE COPIED OR USED WITHOUT THE APPROVAL OF MICRO SWITCH.

MICRO SWITCH
a Honeywell Division

SWITCH - SOLID STATE

FED. WFO. CODE #1829

CATALOG LISTING
VX SERIES
CHART 1

THIRD ANGLE PROJECTION	
SCALE	NONE
DO NOT SCALE PRINT	
UNLESS OTHERWISE SPECIFIED TOLERANCES ARE	
ONE PLACE (L0)	±.030
TWO PLACES (L00)	±.015
THREE PLACES (L000)	±.005
ANGLES	±
WEIGHT	

UNLESS OTHERWISE NOTED MECHANICAL CHARACTERISTICS ARE GIVEN ON LEVER OVER PLUNGER

"D" LEVER ACTUATION POINT	LEVER TYPE	"E" FREE POSITION (MAXI)		"F" OPERATION POINT (MIN)		"G" RELEASE POINT (MAXI)		OVER-TRAVEL (MIN)	OFF-TRAVEL (MIN)	FORCE AT OPERATE POINT		UNACTUATED OUTPUT VOLTAGE	OUTPUT TRANSISTOR	CATALOG LISTING		COMMENTS
		17.02 .670	14.86 .585	16.18 .637	15.37 .605	16.69 .657	0.91 .036			0.05 .002	OUNCES			GRAMS	STYLE 1	
.795	F/A	17.02 .670	14.86 .585	16.18 .637	15.37 .605	16.69 .657	0.91 .036	0.05 .002	.35	+18 -14	10	+5 -4	HIGH	OFF	VX10-F4	GENICOM DRAWING NO. 44AS01960-001
.795	H	17.02 .670	14.86 .585	16.18 .637	15.37 .605	16.69 .657	0.91 .036	0.05 .002	.35	+18 -14	10	+5 -4	HIGH	OFF	Ⓞ	
.795	F/A	17.02 .670	14.86 .585	16.18 .637	15.37 .605	16.69 .657	0.91 .036	0.05 .002	.35	+18 -14	10	+5 -4	LOW	ON	Ⓞ	
.795	H	17.02 .670	14.86 .585	16.18 .637	15.37 .605	16.69 .657	0.91 .036	0.05 .002	.35	+18 -14	10	+5 -4	HIGH	OFF	VX10-H2	
	NONE	16.38 .645	14.22 .560	15.54 .612	10.22 .400	10.05 .400	1.2*	18	34	45	HIGH	OFF	VX30HP			
.795	A	17.02 .670	14.86 .585	16.18 .637	15.37 .605	16.69 .657	0.91 .036	0.05 .002	.35	+18 -14	10	+5 -4	HIGH	OFF	Ⓞ	
.795	F	17.02 .670	14.86 .585	16.18 .637	15.37 .605	16.69 .657	0.91 .036	0.05 .002	.35	+18 -14	10	+5 -4	HIGH	OFF	Ⓞ	
.795	F	17.02 .670	14.86 .585	16.18 .637	15.37 .605	16.69 .657	0.91 .036	0.05 .002	.35	+18 -14	10	+5 -4	HIGH	OFF	VX10-F8	
.810	C	22.48 .885	19.99 .787	21.62 .851	10.22 .400	10.05 .400	1.9*	18	5.4	2.6	HIGH	OFF	VX10-C/L			

ISSUE 21
DATE AND NUMBER
VX SERIES CHART 1
PAGE 3
REVISION PR-13520
REVISION X80986-VX

REVISIONS
A) 11/8/68
B) 11/8/68
C) 11/8/68
D) 11/8/68
E) 11/8/68
F) 11/8/68
G) 11/8/68
H) 11/8/68
I) 11/8/68
J) 11/8/68
K) 11/8/68
L) 11/8/68
M) 11/8/68
N) 11/8/68
O) 11/8/68
P) 11/8/68
Q) 11/8/68
R) 11/8/68
S) 11/8/68
T) 11/8/68
U) 11/8/68
V) 11/8/68
W) 11/8/68
X) 11/8/68
Y) 11/8/68
Z) 11/8/68
AA) 11/8/68
AB) 11/8/68
AC) 11/8/68
AD) 11/8/68
AE) 11/8/68
AF) 11/8/68
AG) 11/8/68
AH) 11/8/68
AI) 11/8/68
AJ) 11/8/68
AK) 11/8/68
AL) 11/8/68
AM) 11/8/68
AN) 11/8/68
AO) 11/8/68
AP) 11/8/68
AQ) 11/8/68
AR) 11/8/68
AS) 11/8/68
AT) 11/8/68
AU) 11/8/68
AV) 11/8/68
AW) 11/8/68
AX) 11/8/68
AY) 11/8/68
AZ) 11/8/68
BA) 11/8/68
BB) 11/8/68
BC) 11/8/68
BD) 11/8/68
BE) 11/8/68
BF) 11/8/68
BG) 11/8/68
BH) 11/8/68
BI) 11/8/68
BJ) 11/8/68
BK) 11/8/68
BL) 11/8/68
BM) 11/8/68
BN) 11/8/68
BO) 11/8/68
BP) 11/8/68
BQ) 11/8/68
BR) 11/8/68
BS) 11/8/68
BT) 11/8/68
BU) 11/8/68
BV) 11/8/68
BW) 11/8/68
BX) 11/8/68
BY) 11/8/68
BZ) 11/8/68
CA) 11/8/68
CB) 11/8/68
CC) 11/8/68
CD) 11/8/68
CE) 11/8/68
CF) 11/8/68
CG) 11/8/68
CH) 11/8/68
CI) 11/8/68
CJ) 11/8/68
CK) 11/8/68
CL) 11/8/68
CM) 11/8/68
CN) 11/8/68
CO) 11/8/68
CP) 11/8/68
CQ) 11/8/68
CR) 11/8/68
CS) 11/8/68
CT) 11/8/68
CU) 11/8/68
CV) 11/8/68
CW) 11/8/68
CX) 11/8/68
CY) 11/8/68
CZ) 11/8/68
DA) 11/8/68
DB) 11/8/68
DC) 11/8/68
DD) 11/8/68
DE) 11/8/68
DF) 11/8/68
DG) 11/8/68
DH) 11/8/68
DI) 11/8/68
DJ) 11/8/68
DK) 11/8/68
DL) 11/8/68
DM) 11/8/68
DN) 11/8/68
DO) 11/8/68
DP) 11/8/68
DQ) 11/8/68
DR) 11/8/68
DS) 11/8/68
DT) 11/8/68
DU) 11/8/68
DV) 11/8/68
DW) 11/8/68
DX) 11/8/68
DY) 11/8/68
DZ) 11/8/68
EA) 11/8/68
EB) 11/8/68
EC) 11/8/68
ED) 11/8/68
EE) 11/8/68
EF) 11/8/68
EG) 11/8/68
EH) 11/8/68
EI) 11/8/68
EJ) 11/8/68
EK) 11/8/68
EL) 11/8/68
EM) 11/8/68
EN) 11/8/68
EO) 11/8/68
EP) 11/8/68
EQ) 11/8/68
ER) 11/8/68
ES) 11/8/68
ET) 11/8/68
EU) 11/8/68
EV) 11/8/68
EW) 11/8/68
EX) 11/8/68
EY) 11/8/68
EZ) 11/8/68
FA) 11/8/68
FB) 11/8/68
FC) 11/8/68
FD) 11/8/68
FE) 11/8/68
FF) 11/8/68
FG) 11/8/68
FH) 11/8/68
FI) 11/8/68
FJ) 11/8/68
FK) 11/8/68
FL) 11/8/68
FM) 11/8/68
FN) 11/8/68
FO) 11/8/68
FP) 11/8/68
FQ) 11/8/68
FR) 11/8/68
FS) 11/8/68
FT) 11/8/68
FU) 11/8/68
FV) 11/8/68
FW) 11/8/68
FX) 11/8/68
FY) 11/8/68
FZ) 11/8/68
GA) 11/8/68
GB) 11/8/68
GC) 11/8/68
GD) 11/8/68
GE) 11/8/68
GF) 11/8/68
GG) 11/8/68
GH) 11/8/68
GI) 11/8/68
GJ) 11/8/68
GK) 11/8/68
GL) 11/8/68
GM) 11/8/68
GN) 11/8/68
GO) 11/8/68
GP) 11/8/68
GQ) 11/8/68
GR) 11/8/68
GS) 11/8/68
GT) 11/8/68
GU) 11/8/68
GV) 11/8/68
GW) 11/8/68
GX) 11/8/68
GY) 11/8/68
GZ) 11/8/68
HA) 11/8/68
HB) 11/8/68
HC) 11/8/68
HD) 11/8/68
HE) 11/8/68
HF) 11/8/68
HG) 11/8/68
HH) 11/8/68
HI) 11/8/68
HJ) 11/8/68
HK) 11/8/68
HL) 11/8/68
HM) 11/8/68
HN) 11/8/68
HO) 11/8/68
HP) 11/8/68
HQ) 11/8/68
HR) 11/8/68
HS) 11/8/68
HT) 11/8/68
HU) 11/8/68
HV) 11/8/68
HW) 11/8/68
HX) 11/8/68
HY) 11/8/68
HZ) 11/8/68
IA) 11/8/68
IB) 11/8/68
IC) 11/8/68
ID) 11/8/68
IE) 11/8/68
IF) 11/8/68
IG) 11/8/68
IH) 11/8/68
II) 11/8/68
IJ) 11/8/68
IK) 11/8/68
IL) 11/8/68
IM) 11/8/68
IN) 11/8/68
IO) 11/8/68
IP) 11/8/68
IQ) 11/8/68
IR) 11/8/68
IS) 11/8/68
IT) 11/8/68
IU) 11/8/68
IV) 11/8/68
IW) 11/8/68
IX) 11/8/68
IY) 11/8/68
IZ) 11/8/68
JA) 11/8/68
JB) 11/8/68
JC) 11/8/68
JD) 11/8/68
JE) 11/8/68
JF) 11/8/68
JG) 11/8/68
JH) 11/8/68
JI) 11/8/68
JJ) 11/8/68
JK) 11/8/68
JL) 11/8/68
JM) 11/8/68
JN) 11/8/68
JO) 11/8/68
JP) 11/8/68
JQ) 11/8/68
JR) 11/8/68
JS) 11/8/68
JT) 11/8/68
JU) 11/8/68
JV) 11/8/68
JW) 11/8/68
JX) 11/8/68
JY) 11/8/68
JZ) 11/8/68
KA) 11/8/68
KB) 11/8/68
KC) 11/8/68
KD) 11/8/68
KE) 11/8/68
KF) 11/8/68
KG) 11/8/68
KH) 11/8/68
KI) 11/8/68
KJ) 11/8/68
KK) 11/8/68
KL) 11/8/68
KM) 11/8/68
KN) 11/8/68
KO) 11/8/68
KP) 11/8/68
KQ) 11/8/68
KR) 11/8/68
KS) 11/8/68
KT) 11/8/68
KU) 11/8/68
KV) 11/8/68
KW) 11/8/68
KX) 11/8/68
KY) 11/8/68
KZ) 11/8/68
LA) 11/8/68
LB) 11/8/68
LC) 11/8/68
LD) 11/8/68
LE) 11/8/68
LF) 11/8/68
LG) 11/8/68
LH) 11/8/68
LI) 11/8/68
LJ) 11/8/68
LK) 11/8/68
LL) 11/8/68
LM) 11/8/68
LN) 11/8/68
LO) 11/8/68
LP) 11/8/68
LQ) 11/8/68
LR) 11/8/68
LS) 11/8/68
LT) 11/8/68
LU) 11/8/68
LV) 11/8/68
LW) 11/8/68
LX) 11/8/68
LY) 11/8/68
LZ) 11/8/68
MA) 11/8/68
MB) 11/8/68
MC) 11/8/68
MD) 11/8/68
ME) 11/8/68
MF) 11/8/68
MG) 11/8/68
MH) 11/8/68
MI) 11/8/68
MJ) 11/8/68
MK) 11/8/68
ML) 11/8/68
MN) 11/8/68
MO) 11/8/68
MP) 11/8/68
MQ) 11/8/68
MR) 11/8/68
MS) 11/8/68
MT) 11/8/68
MU) 11/8/68
MV) 11/8/68
MW) 11/8/68
MX) 11/8/68
MY) 11/8/68
MZ) 11/8/68
NA) 11/8/68
NB) 11/8/68
NC) 11/8/68
ND) 11/8/68
NE) 11/8/68
NF) 11/8/68
NG) 11/8/68
NH) 11/8/68
NI) 11/8/68
NJ) 11/8/68
NK) 11/8/68
NL) 11/8/68
NM) 11/8/68
NO) 11/8/68
NP) 11/8/68
NQ) 11/8/68
NR) 11/8/68
NS) 11/8/68
NT) 11/8/68
NU) 11/8/68
NV) 11/8/68
NW) 11/8/68
NX) 11/8/68
NY) 11/8/68
NZ) 11/8/68
OA) 11/8/68
OB) 11/8/68
OC) 11/8/68
OD) 11/8/68
OE) 11/8/68
OF) 11/8/68
OG) 11/8/68
OH) 11/8/68
OI) 11/8/68
OJ) 11/8/68
OK) 11/8/68
OL) 11/8/68
OM) 11/8/68
ON) 11/8/68
OO) 11/8/68
OP) 11/8/68
OQ) 11/8/68
OR) 11/8/68
OS) 11/8/68
OT) 11/8/68
OU) 11/8/68
OV) 11/8/68
OW) 11/8/68
OX) 11/8/68
OY) 11/8/68
OZ) 11/8/68
PA) 11/8/68
PB) 11/8/68
PC) 11/8/68
PD) 11/8/68
PE) 11/8/68
PF) 11/8/68
PG) 11/8/68
PH) 11/8/68
PI) 11/8/68
PJ) 11/8/68
PK) 11/8/68
PL) 11/8/68
PM) 11/8/68
PN) 11/8/68
PO) 11/8/68
PP) 11/8/68
PQ) 11/8/68
PR) 11/8/68
PS) 11/8/68
PT) 11/8/68
PU) 11/8/68
PV) 11/8/68
PW) 11/8/68
PX) 11/8/68
PY) 11/8/68
PZ) 11/8/68
QA) 11/8/68
QB) 11/8/68
QC) 11/8/68
QD) 11/8/68
QE) 11/8/68
QF) 11/8/68
QG) 11/8/68
QH) 11/8/68
QI) 11/8/68
QJ) 11/8/68
QK) 11/8/68
QL) 11/8/68
QM) 11/8/68
QN) 11/8/68
QO) 11/8/68
QP) 11/8/68
QQ) 11/8/68
QR) 11/8/68
QS) 11/8/68
QT) 11/8/68
QU) 11/8/68
QV) 11/8/68
QW) 11/8/68
QX) 11/8/68
QY) 11/8/68
QZ) 11/8/68
RA) 11/8/68
RB) 11/8/68
RC) 11/8/68
RD) 11/8/68
RE) 11/8/68
RF) 11/8/68
RG) 11/8/68
RH) 11/8/68
RI) 11/8/68
RJ) 11/8/68
RK) 11/8/68
RL) 11/8/68
RM) 11/8/68
RN) 11/8/68
RO) 11/8/68
RP) 11/8/68
RQ) 11/8/68
RR) 11/8/68
RS) 11/8/68
RT) 11/8/68
RU) 11/8/68
RV) 11/8/68
RW) 11/8/68
RX) 11/8/68
RY) 11/8/68
RZ) 11/8/68
SA) 11/8/68
SB) 11/8/68
SC) 11/8/68
SD) 11/8/68
SE) 11/8/68
SF) 11/8/68
SG) 11/8/68
SH) 11/8/68
SI) 11/8/68
SJ) 11/8/68
SK) 11/8/68
SL) 11/8/68
SM) 11/8/68
SN) 11/8/68
SO) 11/8/68
SP) 11/8/68
SQ) 11/8/68
SR) 11/8/68
SS) 11/8/68
ST) 11/8/68
SU) 11/8/68
SV) 11/8/68
SW) 11/8/68
SX) 11/8/68
SY) 11/8/68
SZ) 11/8/68
TA) 11/8/68
TB) 11/8/68
TC) 11/8/68
TD) 11/8/68
TE) 11/8/68
TF) 11/8/68
TG) 11/8/68
TH) 11/8/68
TI) 11/8/68
TJ) 11/8/68
TK) 11/8/68
TL) 11/8/68
TM) 11/8/68
TN) 11/8/68
TO) 11/8/68
TP) 11/8/68
TQ) 11/8/68
TR) 11/8/68
TS) 11/8/68
TU) 11/8/68
TV) 11/8/68
TW) 11/8/68
TX) 11/8/68
TY) 11/8/68
TZ) 11/8/68
UA) 11/8/68
UB) 11/8/68
UC) 11/8/68
UD) 11/8/68
UE) 11/8/68
UF) 11/8/68
UG) 11/8/68
UH) 11/8/68
UI) 11/8/68
UJ) 11/8/68
UK) 11/8/68
UL) 11/8/68
UM) 11/8/68
UN) 11/8/68
UO) 11/8/68
UP) 11/8/68
UQ) 11/8/68
UR) 11/8/68
US) 11/8/68
UT) 11/8/68
UU) 11/8/68
UV) 11/8/68
UW) 11/8/68
UX) 11/8/68
UY) 11/8/68
UZ) 11/8/68
VA) 11/8/68
VB) 11/8/68
VC) 11/8/68
VD) 11/8/68
VE) 11/8/68
VF) 11/8/68
VG) 11/8/68
VH) 11/8/68
VI) 11/8/68
VJ) 11/8/68
VK) 11/8/68
VL) 11/8/68
VM) 11/8/68
VN) 11/8/68
VO) 11/8/68
VP) 11/8/68
VQ) 11/8/68
VR) 11/8/68
VS) 11/8/68
VT) 11/8/68
VU) 11/8/68
VV) 11/8/68
VW) 11/8/68
VX) 11/8/68
VY) 11/8/68
VZ) 11/8/68
WA) 11/8/68
WB) 11/8/68
WC) 11/8/68
WD) 11/8/68
WE) 11/8/68
WF) 11/8/68
WG) 11/8/68
WH) 11/8/68
WI) 11/8/68
WJ) 11/8/68
WK) 11/8/68
WL) 11/8/68
WM) 11/8/68
WN) 11/8/68
WO) 11/8/68
WP) 11/8/68
WQ) 11/8/68
WR) 11/8/68
WS) 11/8/68
WT) 11/8/68
WU) 11/8/68
WV) 11/8/68
WW) 11/8/68
WX) 11/8/68
WY) 11/8/68
WZ) 11/8/68
XA) 11/8/68
XB) 11/8/68
XC) 11/8/68
XD) 11/8/68
XE) 11/8/68
XF) 11/8/68
XG) 11/8/68
XH) 11/8/68
XI) 11/8/68
XJ) 11/8/68
XK) 11/8/68
XL) 11/8/68
XM) 11/8/68
XN) 11/8/68
XO) 11/8/68
XP) 11/8/68
XQ) 11/8/68
XR) 11/8/68
XS) 11/8/68
XT) 11/8/68
XU) 11/8/68
XV) 11/8/68
XW) 11/8/68
XX) 11/8/68
XY) 11/8/68
XZ) 11/8/68
YA) 11/8/68
YB) 11/8/68
YC) 11/8/68
YD) 11/8/68
YE) 11/8/68
YF) 11/8/68
YG) 11/8/68
YH) 11/8/68
YI) 11/8/68
YJ) 11/8/68
YK) 11/8/68
YL) 11/8/68
YM) 11/8/68
YN) 11/8/68
YO) 11/8/68
YP) 11/8/68
YQ) 11/8/68
YR) 11/8/68
YS) 11/8/68
YT) 11/8/68
YU) 11/8/68
YV) 11/8/68
YW) 11/8/68
YX) 11/8/68
YY) 11/8/68
YZ) 11/8/68
ZA) 11/8/68
ZB) 11/8/68
ZC) 11/8/68
ZD) 11/8/68
ZE) 11/8/68
ZF) 11/8/68
ZG) 11/8/68
ZH) 11/8/68
ZI) 11/8/68
ZJ) 11/8/68
ZK) 11/8/68
ZL) 11/8/68
ZM) 11/8/68
ZN) 11/8/68
ZO) 11/8/68
ZP) 11/8/68
ZQ) 11/8/68
ZR) 11/8/68
ZS) 11/8/68
ZT) 11/8/68
ZU) 11/8/68
ZV) 11/8/68
ZW) 11/8/68
ZX) 11/8/68
ZY) 11/8/68
ZZ) 11/8/68



THIS DRAWING COVERS A PROPRIETARY ITEM AND IS THE PROPERTY OF MICRO SWITCH, A DIVISION OF HONEYWELL. THIS DRAWING IS NOT TO BE COPIED OR USED WITHOUT THE APPROVAL OF MICRO SWITCH.

MICRO SWITCH
a Honeywell Division

SWITCH - SOLID STATE

CATALOG LISTING
VX SERIES
CHART 1

MASTER REDUCED
ANSI Y14.5M-1982 APPLIES

THIRD ANGLE PROJECTION	
SCALE	NONE
DO NOT SCALE PRINT	
UNLESS OTHERWISE SPECIFIED TOLERANCES ARE	
ONE PLACE (L)	±.030
TWO PLACES (L.0)	±.015
THREE PLACES (L.00)	±.005
ANGLES	±
WEIGHT	

UNLESS OTHERWISE NOTED MECHANICAL CHARACTERISTICS ARE GIVEN ON LEVER OVER PLUNGER

"D" LEVER ACTUATION POINT	LEVER TYPE	"E" FREE POSITION (MAX)	"F" OPERATION POINT (MIN)	"G" RELEASE POINT (MAX)	OVER-TRAVEL (MIN)	DIFF. TRAVEL (MIN)	FORCE AT OPERATE POINT		UNACTUATED OUTPUT VOLTAGE	OUTPUT TRANSISTOR	CATALOG LISTING		IBM DRAWING NO.	COMMENTS	
							OUNCES	GRAMS			STYLE 1	STYLE 2			
.795	F	17.02 .670	14.86 .585	16.18 .637	0.91 .036	0.05 .002	.35	+18 -4	10	+5 -4	HIGH	OFF	VX10-F1	4592340	
.795	F	17.02 .670	14.86 .585	16.18 .637	0.91 .036	0.05 .002	.35	+18 -4	10	+5 -4	HIGH	OFF	F	4593242	
.795	F	17.02 .670	14.86 .585	16.18 .637	0.91 .036	0.05 .002	.35	+18 -4	10	+5 -4	HIGH	OFF	E	4593470	
.795	F	17.02 .670	14.86 .585	16.18 .637	0.91 .036	0.05 .002	.35	+18 -4	10	+5 -4	HIGH	OFF	F	4592552	

IBM CORPORATION SWITCHES ONLY THIS PAGE

DRAWING NUMBER: **VX SERIES CHART 1**
 PAGE: 4 OF 4
 RELEASE NO. PR-14487 REVISED: XR0986-VX
 ISSUE: 21
 REV: 1, 2, 3, 4, 5, 6, 7, 8, 9, 10, 11, 12, 13, 14, 15, 16, 17, 18, 19, 20, 21, 22, 23, 24, 25, 26, 27, 28, 29, 30, 31, 32, 33, 34, 35, 36, 37, 38, 39, 40, 41, 42, 43, 44, 45, 46, 47, 48, 49, 50, 51, 52, 53, 54, 55, 56, 57, 58, 59, 60, 61, 62, 63, 64, 65, 66, 67, 68, 69, 70, 71, 72, 73, 74, 75, 76, 77, 78, 79, 80, 81, 82, 83, 84, 85, 86, 87, 88, 89, 90, 91, 92, 93, 94, 95, 96, 97, 98, 99, 100
 J. A. STANGOR, DESIGNER
 FORMTEK, DRAWN
 J. A. STANGOR, CHECKED



THIS DRAWING COVERS A PROPRIETARY ITEM AND IS THE PROPERTY OF MICRO SWITCH, A DIVISION OF HONEYWELL. THIS DRAWING IS NOT TO BE COPIED OR USED WITHOUT THE APPROVAL OF MICRO SWITCH.

MICRO SWITCH
a Honeywell Division

SWITCH — SOLID STATE

CATALOG LISTING
VX SERIES
CHART 1

MASTER REDUCED
ANSI Y14.5M-1982 APPLIES

FED. MFG. CODE #1829

THIRD ANGLE PROJECTION
SCALE NONE
DO NOT SCALE PRINT
UNLESS OTHERWISE SPECIFIED TOLERANCES ARE
ONE PLACE (.0) ±.030
TWO PLACES (.00) ±.015
THREE PLACES (.000) ±.005
ANGLES
WEIGHT