



BZLN-LH



Actual product appearance may vary.

Prewired Enclosed Switches Series
BZLN: Top Plunger Actuator; 1NC 1NO
SPDT Snap Action; No. 14 wire leads
with 1/2 in - 14NPSM conduit hub; Left-
hand Actuator

Features

- Zinc die-cast housing
- Will withstand impact actuation
- Positioning dowel holes
- SPDT or 2-CKT DB circuitry
- UL Recognized, file #E12252
- CSA Certified, file #LR41372
- No. 14 type HWM wire leads, conduit hub seal
- Conduit size 1/2 - 14NPSM
- Sealed to NEMA 1, 3, 4, and 13

Potential Applications

- Machine tool
- Stamping machines
- Applications which have shock/vibration present

Description

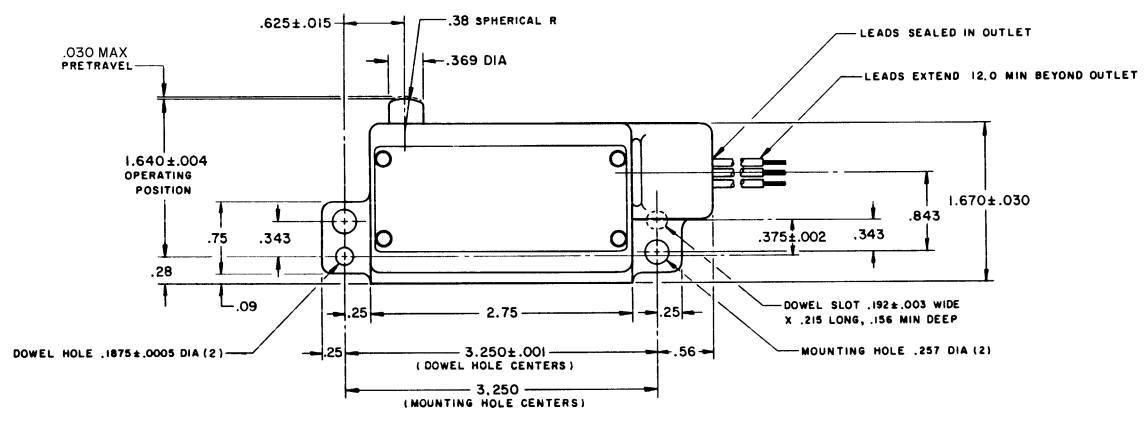
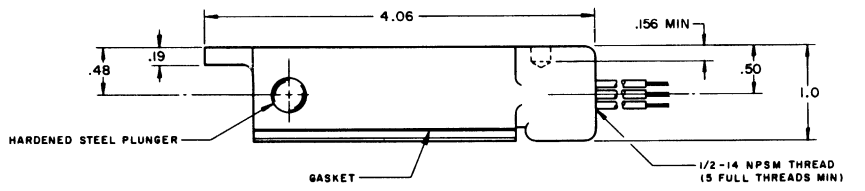
MICRO SWITCH™ LN switches are designed to withstand rapid hammer-blow actuation. Impact on the actuating plunger cannot reach the precision switch unit inside. Individual seals around each leadwire and cover plate protect switch cavity from condensate, oil, and dust. Acuator position: The RH or LH suffix on the end of the catalog listing means the actuator is to the right or left side of the switch as viewed from the nameplate.

Product Specifications	
Availability	Global
Operating Force (O.F.)	22,2 N max. [5 lbs max.]
Release Force (R.F.)	4,45 N max. [1 lb min.]
Pretravel (P.T.)	0,20 mm to 0,51 mm [.008 in to .020 in]
Overtravel (O.T.)	5,16 mm min. [0.203 in min.]
Differential Travel (D.T.)	0,10 mm max. [0.004 in max.]
Product Type	Enclosed Switches
Actuator	Top Plunger
Circuitry	1NC 1NO SPDT Snap Action
Ampere Rating	15 A Ind./0.5 A Res./0.25 A Res.
Supply Voltage	125 Vac, 250 Vac, 480 Vac/125 Vdc/250 Vdc
Housing Material	Zinc Die-Cast

Termination Type	Preleaded with 1/2 in - 14NPSM conduit
Series Name	LN
Sealing	NEMA 1, 3, 4, and 13
Approvals	UL recognized, CSA certified
CSA File #	LR41372
UL File #	E12252
Operating Temperature Range	-32 °C to 55 °C [-25 °F to 131 °F]
Comment	Left-hand Actuator; 1-ft. lead length
UNSPSC Code	302119
UNSPSC Commodity	302119 Switches and controls and relays
Sealed	Industrial
Operating Position (O.P.)	41,7 mm [1.64 in]

MICRO SWITCH
 FREEPORT, ILLINOIS, U.S.A.
 A DIVISION OF HONEYWELL
 FED. MFG. CODE 91929

CATALOG LISTING
SWITCH - ENCLOSED
BZLN - LH



BZLN-LH
 M
 DRAWING NUMBER
 ISSUE
 REVISIONS
 A CO1950
 B B F
 B NOV 64
 C CO50714
 G Z M
 27 MAR 82
 C CO55998
 M A M
 31 OCT 84
 D CO-8175
 26 SEP 95
 CHECK
 N B F 10 NOV 64
 DRAWN
 FORMTEK

THIS DRAWING COVERS A PROPRIETARY ITEM AND IS THE PROPERTY OF MICRO SWITCH, A DIVISION OF MINNEAPOLIS-HONEYWELL REGULATOR CO. THIS DRAWING IS NOT TO BE COPIED OR USED WITHOUT THE APPROVAL OF MICRO SWITCH.

CHARACTERISTICS	ELECTRICAL DATA	SCALE FULL
OPERATING FORCE — — — 5 LB MAX	CONTACT ARRANGEMENT S P D T	DO NOT SCALE PRINT
RELEASE FORCE — — — 1 LB MIN	-L96- 18 A - 125, 250, OR 480 VAC 1/2 A - 125 VDC; 1/4 A - 250 VDC 1/8 HP - 125 VAC; 1/4 HP - 250 VAC	UNLESS OTHERWISE NOTED DIMENSIONS ARE IN INCHES TOLERANCES ARE:
DIFFERENTIAL TRAVEL — — — .004 MAX	9L	ONE PLACE (.0) ± .030 TWO PLACE (.00) ± .018 THREE PLACE (.000) ± .008 ANGLES ±
OVERTRAVEL — — — .203 MIN		WEIGHT 720 LB PLUS LEADS

WIRING CONNECTIONS -
 COMMON - BLACK LEAD
 NORMALLY OPEN - BLUE LEAD
 NORMALLY CLOSED - RED LEAD