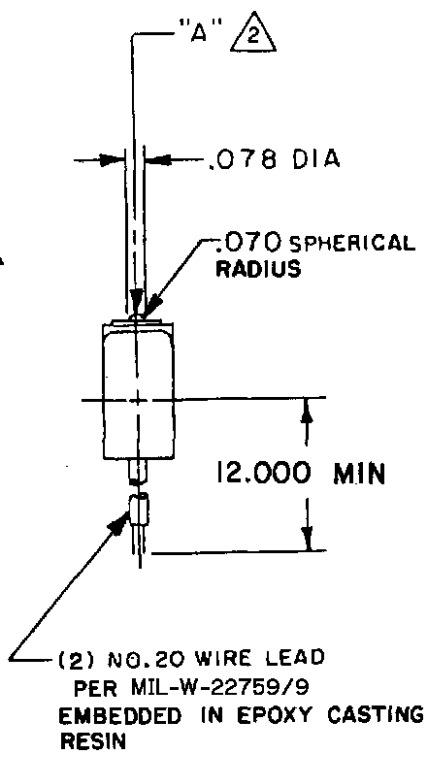
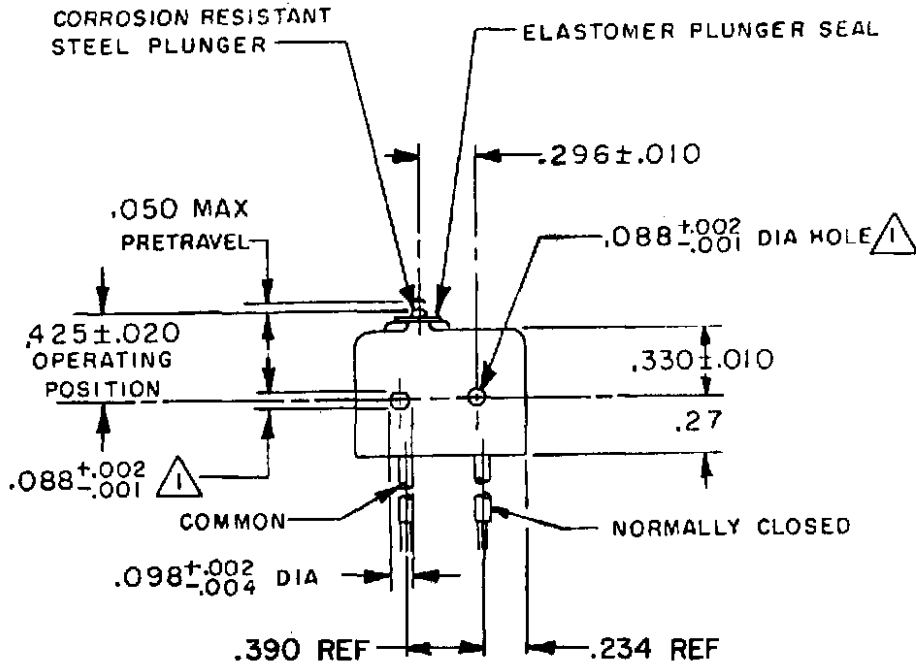
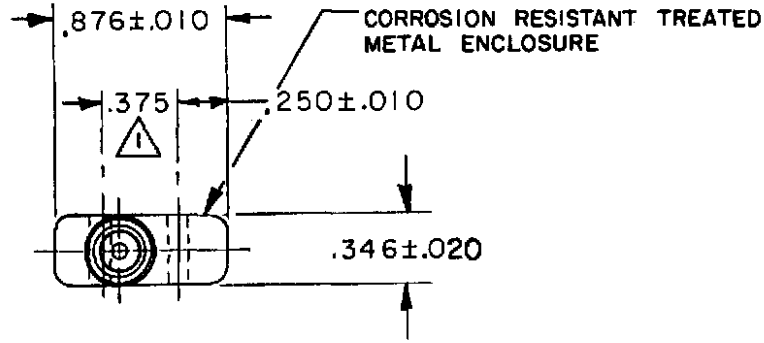


CATALOG LISTING
6SE801
PAGE 1 OF 1
REPLACES PR-8605
ISSUE 4
CHECK
REVISIONS
A CO-94402
JJA 5 MAR 99
CHECK
JJA 5 MAR 99
JAF
CHECK
JJA 5 MAR 99
DRAWN
JJA 5 MAR 99
FORMTEK

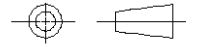


NOTES

- 1 MOUNTING HOLES WILL ACCEPT .087 MAX DIA PINS OR SCREWS ON .375±.002 CENTERS
- 2 ACTUATION IN LINE WITH ARROW "A" IS RECOMMENDED
- 3 WEIGHT OF SWITCH ONLY IS .26 OZ MAX. WEIGHT OF SWITCH WITH WIRE LEADS IS .51 OZ MAX

THIS DRAWING COVERS A PROPRIETARY ITEM AND IS THE PROPERTY OF MICRO SWITCH, A DIVISION OF HONEYWELL. THIS DRAWING IS NOT TO BE COPIED OR USED WITHOUT THE APPROVAL OF MICRO SWITCH.

THIRD ANGLE PROJECTION



CHARACTERISTICS	ELECTRICAL DATA	SCALE	FULL	DO NOT SCALE PRINT
OPERATING FORCE ----- 5-25 OZ	CONTACT ARRANGEMENT S P N C	UNLESS OTHERWISE SPECIFIED TOLERANCES ARE		
RELEASE FORCE ----- 4 OZ MIN	250 VAC ----- 5 AMP 30 VOLTS DC RATING	ONE PLACE (.0)	±.030	
RELEASE TRAVEL ----- .004 MIN		TWO PLACE (.00)	±.015	
DIFFERENTIAL TRAVEL ----- .004 MAX	INDUCTIVE ----- SEA LEVEL --- 3 AMP	THREE PLACE (.000)	±.005	
OVERTRAVEL ----- .003 MIN	RESISTIVE ----- SEA LEVEL --- 5 AMP	ANGLES	±	
	50,000 FT --- 2.5 AMP	WEIGHT	3	
	50,000 FT --- 5 AMP			
	MAXIMUM INRUSH ----- 24 AMP			