

MICRO SWITCH

FREEMONT ILLINOIS, U.S.A
A DIVISION OF HONEYWELL
FED. MFG. CODE 91929

SWITCH - BASIC

CATALOG LISTING

YZ-R296-A2

YZ-R296-A2

M

DRAWING NUMBER

ISSUE

4

REPLACES X77807-YZ

RELEASE NO. PR-12892

CHECK

REVISIONS

A	CO-73287-J	JAL	22 NOV 93
B	CO-77588	KDR	29 MAR 94
C	0000713	JAH	30 JUN 03

CHECK

APRIL 84

CHECK

APR 84

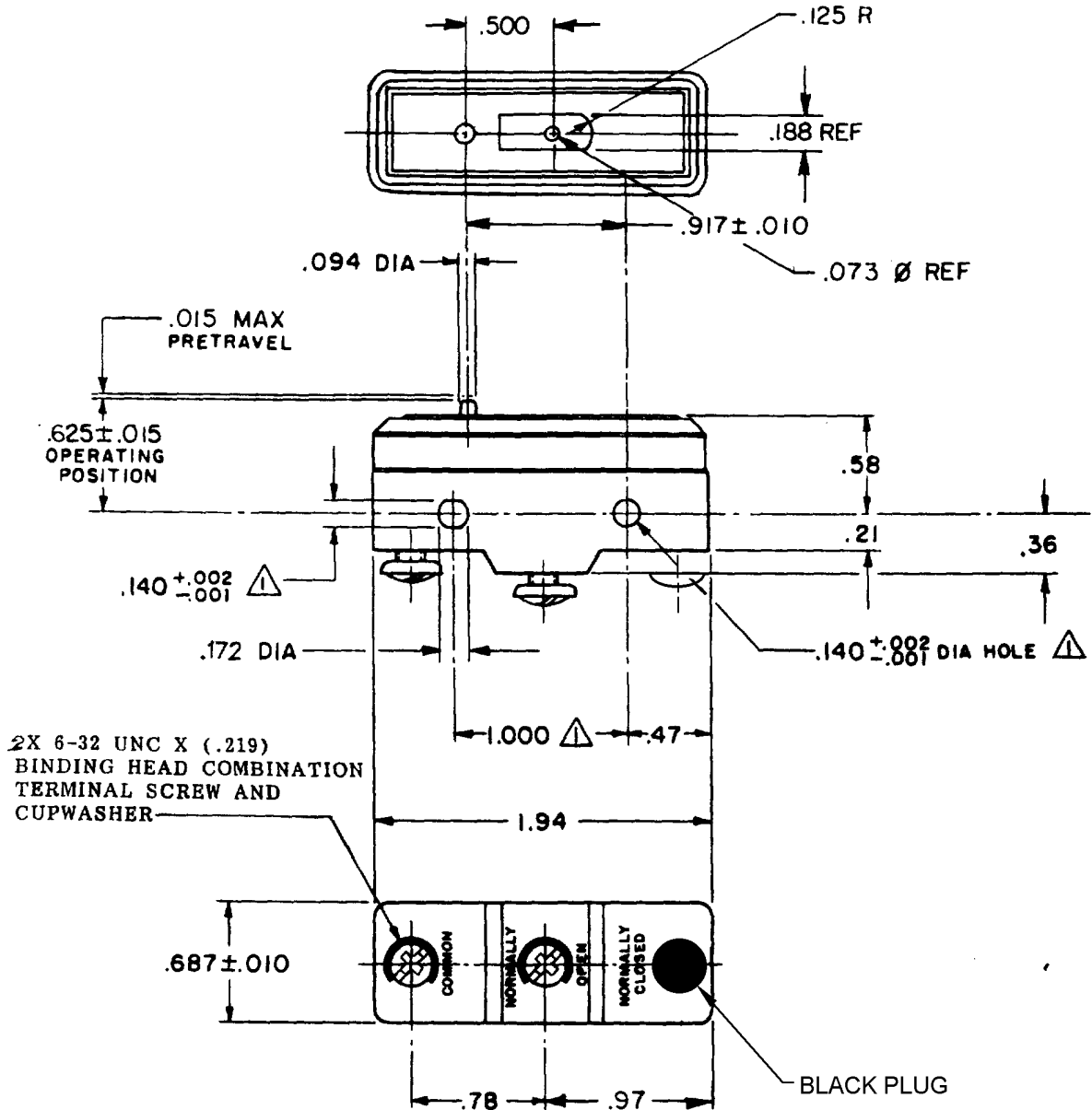
CHECK

APR 84

RASTER

DRAWN

J A S 10 APR 84



NOTE
MOUNTING HOLES WILL ACCEPT PINS OR SCREWS OF .139 MAX DIA ON 1.000±.002 CENTERS

THIS DRAWING COVERS A PROPRIETARY ITEM AND IS THE PROPERTY OF MICRO SWITCH, A DIVISION OF HONEYWELL. THIS DRAWING IS NOT TO BE COPIED OR USED WITHOUT THE APPROVAL OF MICRO SWITCH.

THIRD ANGLE PROJECTION

CHARACTERISTICS	
OPERATING FORCE	7-9 OZ
RELEASE FORCE	4 OZ MIN
DIFFERENTIAL TRAVEL	.0005 MAX
OVERTRAVEL	.005 MIN

ELECTRICAL DATA	
CONTACT ARRANGEMENT S P N O	
CODE L 103 15A-125, 250 OR 480 VAC 1/8HP-125 VAC; 1/4HP-250 VAC	

SCALE FULL			
DO NOT SCALE PRINT			
TOLERANCES			
APPLY TO DESIGN UNITS. CONVERSIONS ARE ONLY FOR REFERENCE. UNLESS NOTED, TOLERANCES ARE ±			
NO PLACES	X	1/.04	
ONE PLACE	X,X	0.4/.010	X,X 0.8/.03
TWO PLACES	X,XX	0.16/.008	X,XX 0.38/.015
THREE PLACES	X,XXX		X,XXX 0.15/.006
ANGLES			
DESIGN UNITS		<input type="checkbox"/> METRIC <input checked="" type="checkbox"/> US CUSTOMARY	
WEIGHT			