

MICRO SWITCH

A DIVISION OF MINNEAPOLIS-HONEYWELL REGULATOR COMPANY
PINEBROOK, ILLINOIS

FED. MFR. CODE 91929

SWITCH - BASIC

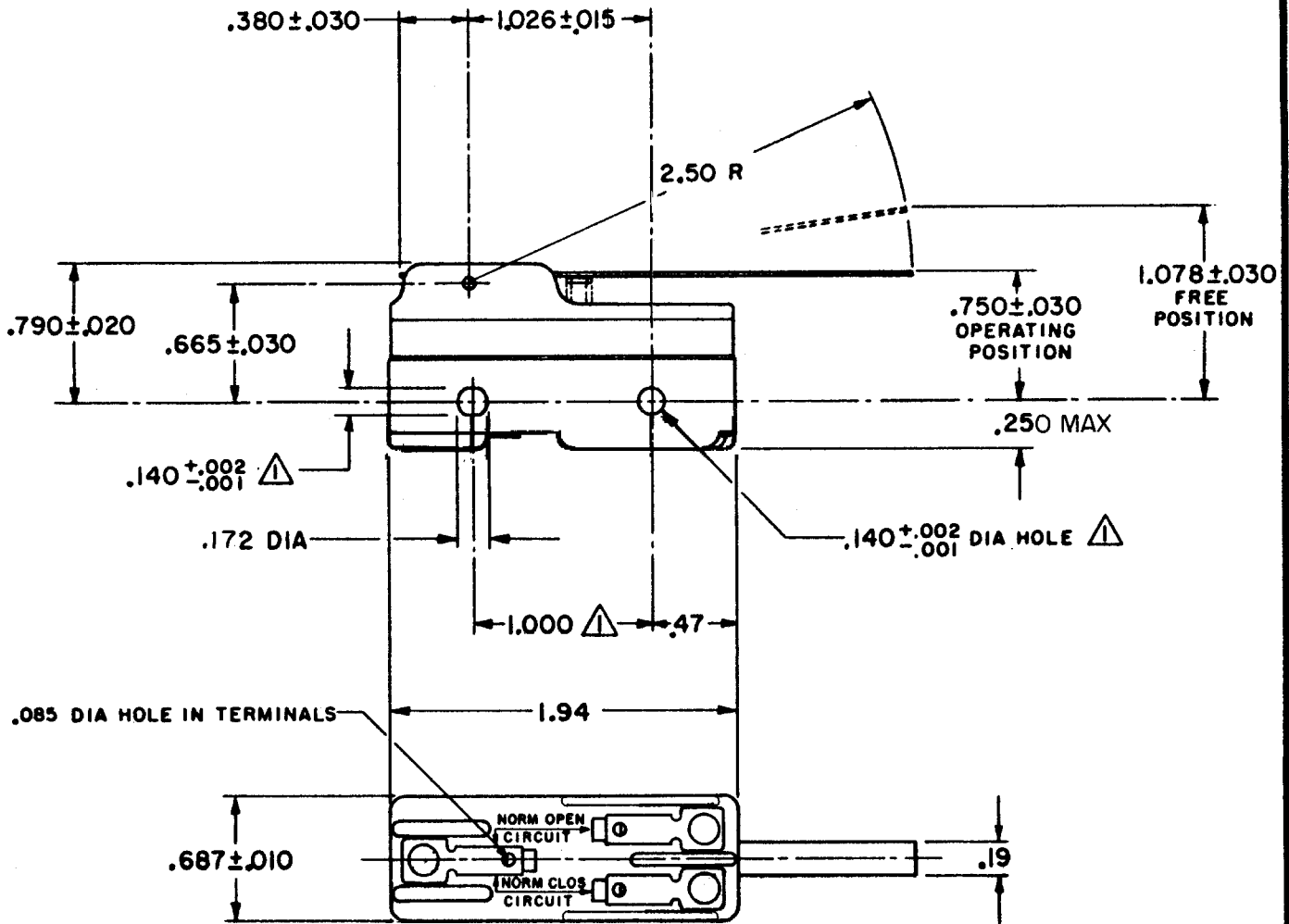
CATALOG LISTING
BZ-2RW80

DRAWING NUMBER
BZ-2RW80
PAGE 1 OF 1

ISSUE
M
13

REVISIONS

A	CO 16736	6 CH	6 APRIL 62
B	CO34306		
K	P K	3 JUN	75
C	CO 46304	R J H	21 NOV 79
D	CO 58037		
	SMA	1 OCT	85
E	CO-78874	DLT	18 NOV 94
F	CO93346	DLT	11 SEP 98
G	CO-94212-J	J J A	5 OCT 99



NOTE
▲ MOUNTING HOLES WILL ACCEPT PINS OR SCREWS OF .139 MAX DIA ON 1.000 ± .002 CENTERS.

THIS DRAWING COVERS A PROPRIETARY ITEM AND IS THE PROPERTY OF MICRO SWITCH, A DIVISION OF MINNEAPOLIS-HONEYWELL REGULATOR CO. THIS DRAWING IS NOT TO BE COPIED OR USED WITHOUT THE APPROVAL OF MICRO SWITCH.

CHARACTERISTICS	
OPERATING FORCE-----	2 1/2 OZ MAX
RELEASE FORCE-----	1/2 OZ MIN
DIFFERENTIAL TRAVEL-----	.007-.050
OVERTRAVEL-----	.219 MIN

ELECTRICAL DATA	
CONTACT ARRANGEMENT S P D T	
UNDERWRITERS' LAB. INC. LISTED RATING	
-L96-	15A-125, 250, OR 480 VAC
	1/2 A-125 VDC; 1/4 A-250 VDC
	1/8 HP-125 VAC; 1/4 HP-250 VAC
-L288-	
-L299-	
-L306-	
	16A 250V ~ T85 5E4

SCALE FULL	
DO NOT SCALE PRINT	
UNLESS OTHERWISE SPECIFIED DIMENSIONS ARE IN INCHES	
TOLERANCES ARE:	
ONE PLACE (.0)	±.030
TWO PLACE (.00)	±.015
THREE PLACE (.000)	±.005
ANGLES ±	
WEIGHT .060 LB	

FORMTEK
FC-50378
DRAWN
G C H 6 APRIL 62
CHECK
D A W 17 APR 62
CHECK

REPLACES

RELEASE NO.

CHECK

CHECK

CHECK

CHECK

CHECK

CHECK

CHECK