

MICRO SWITCH
a Honeywell Division

FED. MFG. CODE 91929

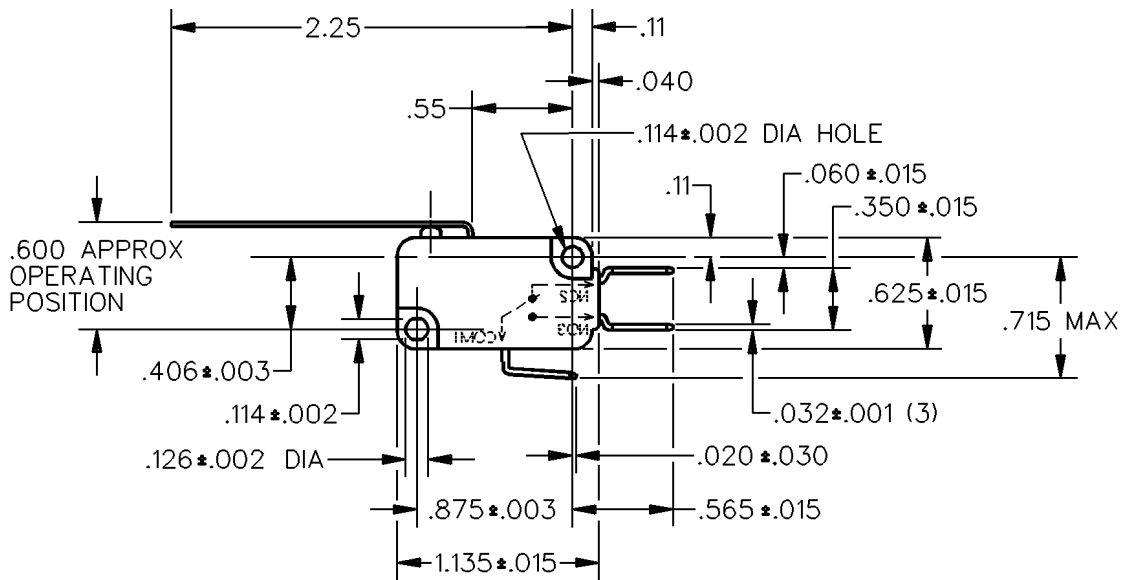
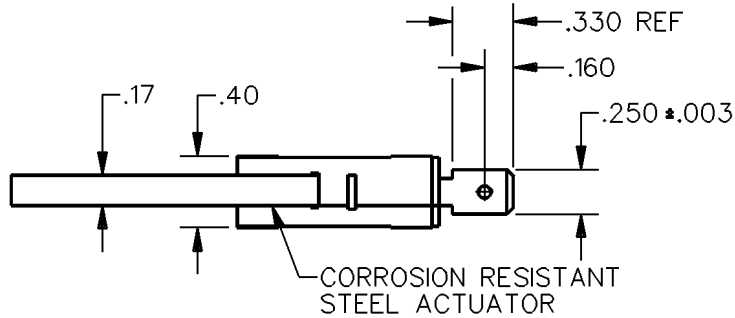
SWITCH-BASIC

CATALOG LISTING

V7-3E17E9-143-1

CW-B8426

CATALOG LISTING
V7-3E17E9-143-1
REPLACES
RELEASE NO. PR-18387
ISSUE
M
3



NOTE

- 1 FORCE CHARACTERISTICS TAKEN WITH SWITCH MOUNTING SURFACE HORIZONTAL
- 2 - CAUTION: OVERTRAVEL FORCE ON LEVER MUST NOT RESULT IN AN OVERTRAVEL FORCE ON PLUNGER EXCEEDING FIVE POUNDS

REVISIONS	
A	REL PR18387 14 JUN 90 BAB
B	CO-76231 21 OCT 93 K D R

CHECK

18 JUN 90

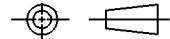
J A P

CHECK

14 JUN 90

THIS DRAWING COVERS A PROPRIETARY ITEM AND IS THE PROPERTY OF MICRO SWITCH, A DIVISION OF HONEYWELL. THIS DRAWING IS NOT TO BE COPIED OR USED WITHOUT THE APPROVAL OF MICRO SWITCH.

THIRD ANGLE PROJECTION



CHARACTERISTICS	ELECTRICAL DATA	SCALE FULL	DO NOT SCALE PRINT
		UNLESS OTHERWISE SPECIFIED TOLERANCES ARE	
OPERATING FORCE -- 16 GRAM APPROX	CONTACT ARRANGEMENT S P D T	ONE PLACE (.0)	±.030
	10A-1/3 HP-125, 250, 277 VAC L216 1/2A-125 VDC; 1/4A-250 VDC 4A-125 VAC "L"	TWO PLACE (.00)	±.015
		THREE PLACE (.000)	±.005
		ANGLES	±
		WEIGHT	



DDM/CAD
DRAWN
BAB