

MICRO SWITCH

FREERPORT ILLINOIS, U.S.A.
A DIVISION OF HONEYWELL
FED. MFG. CODE 91929

SMALL PRECISION LIMIT SWITCH

CATALOG LISTING
914CE16-9

914CE16-9

M

DRAWING
NUMBER

X

ISSUE
3

RELEASE NO. PR-7324 REPLACES

CHECK

REVISIONS

A	CO	51267
	TSK	6 APR 82
A	CO	51367
	TSK	6 APR 82
B	CO	59783
	CJH	3 JUL 86

CHECK

CHECK

CHECK

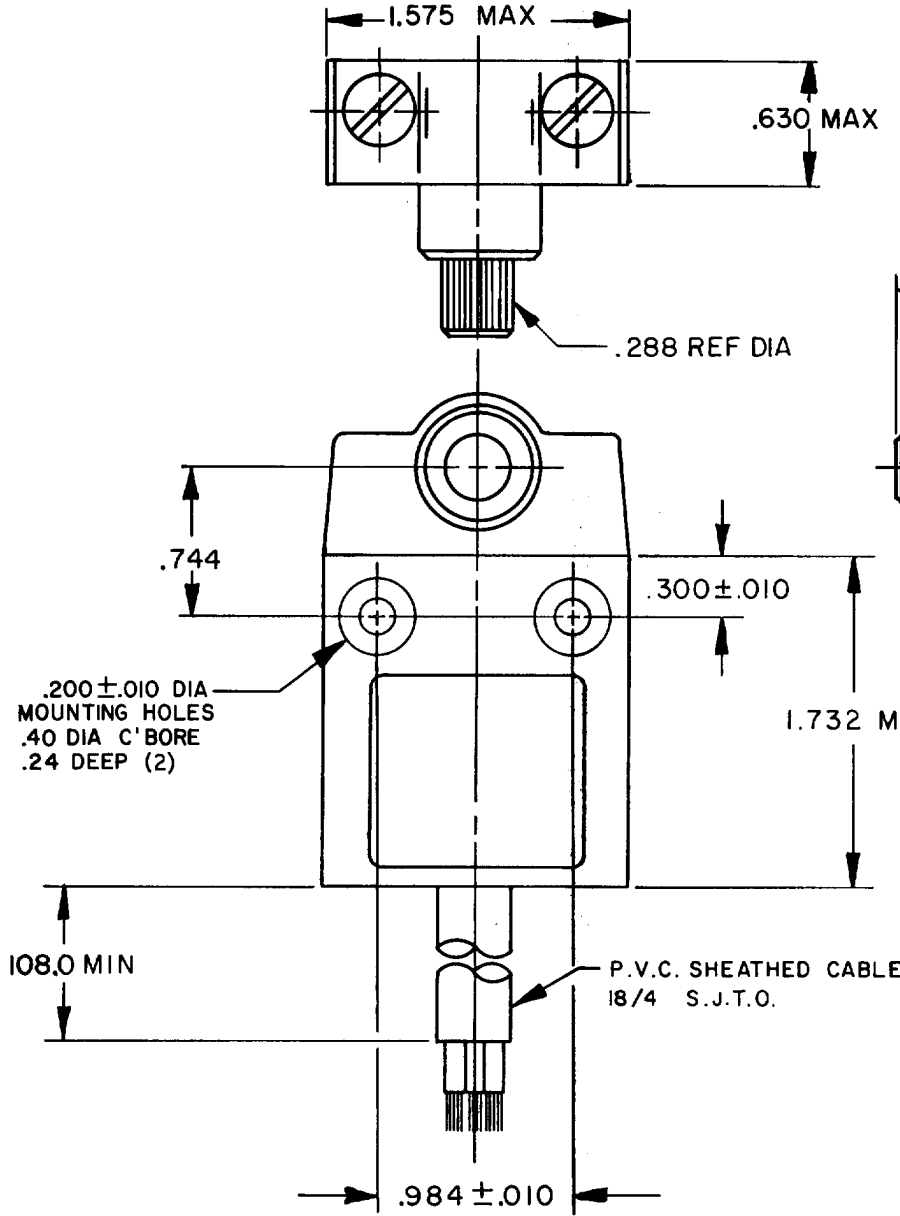
CHECK

CHECK

CHECK

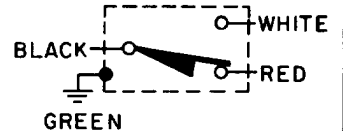
CHECK

CHECK



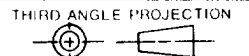
NOTE -

- 1 - ZINC HOUSING FINISHED WITH GRAY PAINT
- 2 - SWITCH WILL ACTUATE IN BOTH DIRECTIONS



CIRCUIT DIAGRAM

THIS DRAWING COVERS A PROPRIETARY ITEM AND IS THE PROPERTY OF MICRO SWITCH, A DIVISION OF HONEYWELL. THIS DRAWING IS NOT TO BE COPIED OR USED WITHOUT THE APPROVAL OF MICRO SWITCH.



CHARACTERISTICS

OPERATING FORCE --- 3 IN. LB MAX
RELEASE FORCE --- 10 IN. OZ MAX
PRETRAVEL --- 30° MAX
DIFFERENTIAL TRAVEL --- 3° MAX
OVERTRAVEL --- 40° MAX

ELECTRICAL DATA

CONTACT ARRANGEMENT
S P D T

UL LISTED - HONEYWELL LTD
FILE E41859
5A - 250 VAC
1/10 HP - 125 OR 250 VAC
LR-15775

SCALE FULL

DO NOT SCALE PRINT

TOLERANCES

APPLY TO DESIGN UNITS. CONVERSIONS ARE ONLY FOR REFERENCE. UNLESS NOTED, TOLERANCES ARE ±

DIM.	TOL.	DIM.	TOL.
mm	mm/in	in	mm/in
NO PLACES	X	1/104	X X
ONE PLACE	X,X	0.4/016	X XX
TWO PLACES	X,XX	0.15/006	X XXX
THREE PLACES	X,XXX		X XXX
ANGLES			

DESIGN UNITS SI METRIC US CUSTOMARY

WEIGHT

FO-52848-A

DRAWN

AUG 78

D J S15