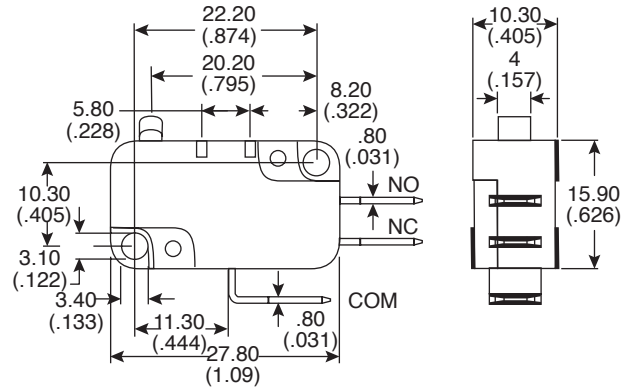
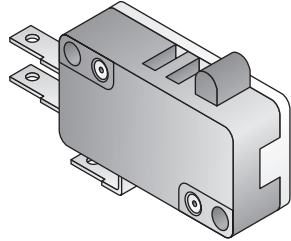
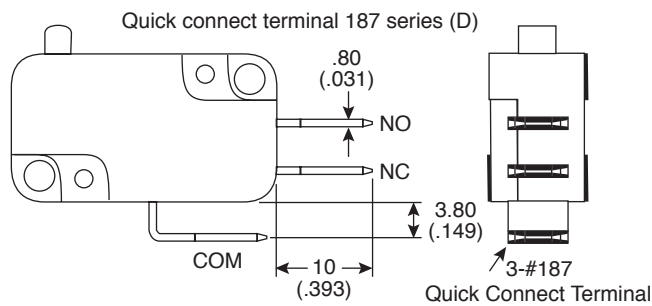


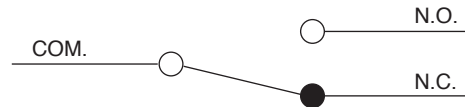
Dimensions: mm (In.)



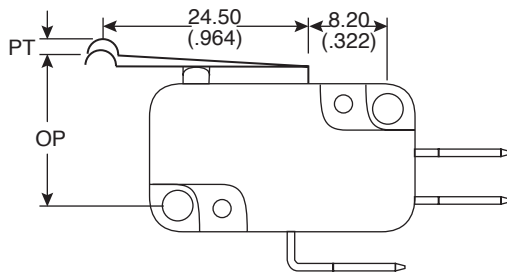
TERMINAL TYPES



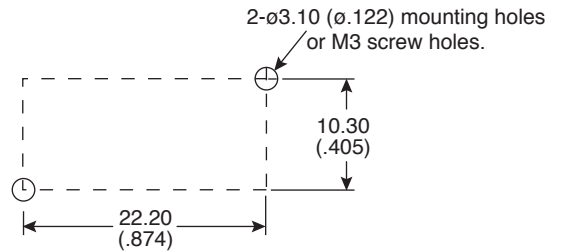
CONTACT CONFIGURATION



OPERATING CHARACTERISTICS



MOUNTING HOLES



Electrical Specifications:

- Insulation Resistance (at 500VDC): 100MΩ Min.
- Dielectric Strength: 1,000VAC RMS(50-60HZ)
- Contact Resistance (Initial): 30mΩ Max.
- Operating Frequency: 10-30 operations/min.
- Operating Speed: 0.1mm to 1m/sec.
- Electrical Life: 6,000~100,000 operations (Min.)
- Rating: 10.1A/125/250 VAC

Mechanical Specifications:

- Operating Frequency: 300 operations/min.
- Mechanical Life: 5,000,000 operations(Min.)

Operating Characteristics:

- OF (g) max: 80
- OP (mm): 18.4±1.3
- PT max: 4.30mm
- OT min (mm): 0.90
- MD max (mm): 2.40

Miniature Snap Switch
SNS73-10-080SR-Q21



Available from Mouser Electronics

www.mouser.com

1-800-346-6873