



BZE6-RQ8X2



Actual product appearance may vary.

Enclosed Switches Series E6: Top Roller Plunger Actuator; 1NC 1NO SPDT Snap Action; 0.5 in - 14NPT conduit

Features

- Side or flange mount
- Momentary or maintained contact
- Grounding screw
- High capacity (22 amp) available
- Temperature range -32 °C to +71 °C [-25 °F to +160 °F]
- Zinc Die-Cast housing NEMA 1
- UL Recognized, file #E12252
- CSA Certified, file #LR41372
- NEMA 1 /IP40
- Pre-leaded or connector termination options

Potential Applications

- Packaging equipment
- Special machinery
- Textile machinery
- Conveyors
- Construction machinery and equipment
- Printing trades machinery
- Overhead cranes and hoists

Description

MICRO SWITCH™ E6 (side mount) and V6 (flange mount) switches are offered with or without actuator seal boots. Both have a combination insulator/seal cemented inside the bottom enclosure. Lead washers are used to seal the mounting holes on side mount switches. All side mount switches are installed with #6 screws, except the BZE6-2RN7 (#8 screws). Removal of the bottom enclosure exposes the terminals for easy wiring.

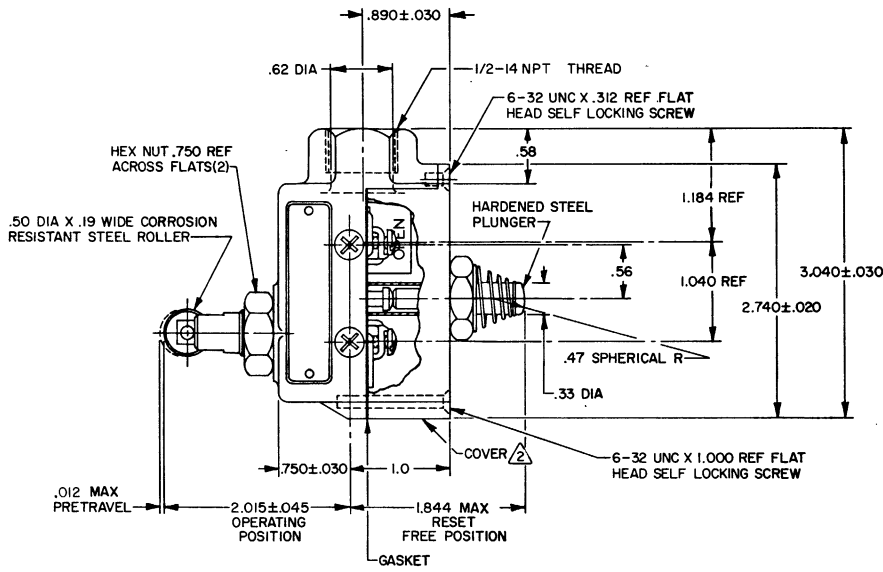
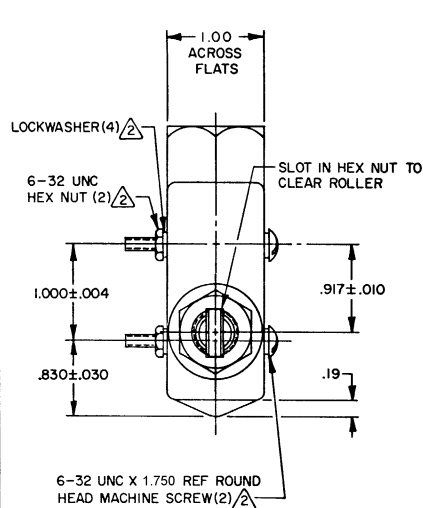
Product Specifications	
Availability	Global
Operating Force (O.F.)	1,67 N to 2,64 N [6 oz to 9.5 oz]
Pretravel (P.T.)	0,30 mm [0.012 in] max.
Overtravel (O.T.)	3,55 mm min. [0.140 in min.]
Product Type	Enclosed Switches
Actuator	Top Roller Plunger
Circuitry	1NC 1NO SPDT Snap Action
Ampere Rating	15 A Ind./0.5 A Res./0.25 A Res.
Supply Voltage	125 Vac, 250 Vac, 480 Vac/125 Vdc/250 Vdc
Housing Material	Zinc Die-Cast
Termination Type	0.5 in - 14NPT conduit
Housing Type	Split Housing, Side Mount
Series Name	E6/V6
Sealing	NEMA 1 /IP40
Approvals	UL recognized, CSA certified
CSA File #	LR41372
UL File #	E12252
Operating Temperature Range	-32 °C to 71 °C [-25 °F to 160 °F]
Comment	Without seal boot on plunger, Roller parallel to long axis of switch
UNSPSC Code	302119
UNSPSC Commodity	302119 Switches and controls and relays
Sealed	Industrial

MICRO SWITCH
 FREEPORT, ILLINOIS U.S.A.
 A DIVISION OF HONEYWELL
 FED. MFG. CODE 9199

SWITCH - ENCLOSED

CATALOG LISTING
BZE6-RQ8X2

DRAWING NUMBER: BZE6-RQ8X2
 ISSUE: 9
 REVISIONS:
 A 0038200 23 AUG 77
 B 0053191F
 C 0055989
 D 0054958
 E 0072618
 F 0016894
 G 0033014
 H 0010007
 I 0010007
 J A L 29 AUG 77
 DRAWN: RASTER
 CHECK: J A L
 PSR: 29AUG07
 RELEASE NO.: 29AUG07



- NOTES-
- 1 - 6-32 UNC X .218 REF BINDING HEAD TERMINAL SCREW (3)
 - 2 - FURNISHED UNASSEMBLED
 - 3 - SEAL RATING: NEMA 1 IP40

THIS DRAWING COVERS A PROPRIETARY ITEM AND IS THE PROPERTY OF MICRO SWITCH A DIVISION OF HONEYWELL THIS DRAWING IS NOT TO BE COPIED OR USED WITHOUT THE APPROVAL OF MICRO SWITCH.		
CHARACTERISTICS	ELECTRICAL DATA	SCALE FULL
OPERATING FORCE ----- 6 - 9 1/2 OZ	CONTACT ARRANGEMENT	DO NOT SCALE PRINT
OVERTRAVEL ----- .140 MIN	S P D T MAINTAINED CONTACT	UNLESS OTHERWISE NOTED
RESET CHARACTERISTICS	CODE L67 15A - 125, 250 OR 480 VAC	DIMENSIONS ARE IN INCHES
OPERATING FORCE ----- 8 OZ MIN	1/4HP - 125 VAC; 1/2HP - 250 VAC	TOLERANCES ARE:
BASIC SWITCH REPLACEMENT --- BZ-RQX784	1/2A - 125 VDC; 1/4A - 250 VDC	ONE PLACE (.01) ± .010
	CE 1.5A, 240 Vac	TWO PLACE (.001) ± .018
		THREE PLACE (.000) ± .008
		HOLES ± .005
		WEIGHT