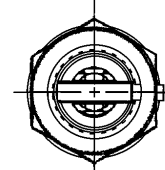
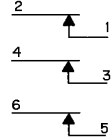


MICRO SWITCH
a Honeywell Division
FED. WFS. CODE 81929

SWITCH - ENCLOSED

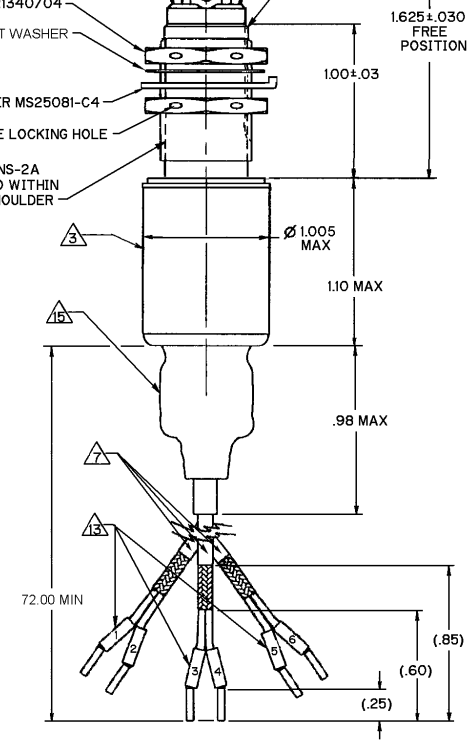
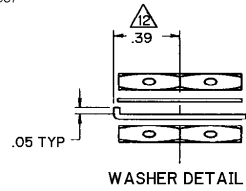
CATALOG LISTING
622EN241-6B
CUSTOMER PART NUMBER
06ND-78304-501

13 CIRCUIT DIAGRAM



CORROSION RESISTANT
STEEL ROLLER
Ø.420-.425 X .108 WIDE
KEYWAY TO WITHIN
.250 OF SHOULDER
T .031±.003 X
.072±.004 WIDE

- 14 2X HEX NUT PER MS21340/04
- 14 CORROSION RESISTANT FLAT WASHER
- 14 KEYING WASHER PER MS25081-C4
- 3X Ø.047 WIRE LOCKING HOLE
- 15 15/32-32UNS-2A
THREAD TO WITHIN
.093 OF SHOULDER



NOTES

- 1 - CORROSION RESISTANT STEEL ENCLOSURE AND PLUNGER
- 2 - SWITCH SEALED PER MIL-PRF-8805 SYMBOL 4
- 3 - PRINT CIRCUIT DIAGRAM, CATALOG LISTING, DATE CODE, AND CUSTOMER PART NUMBER 06ND78304-501, REV LETTER, S/N, AND MFR29957
- 4 - MINIMUM MECHANICAL LIFE: 100,000 CYCLES
- 5 - VIBRATION PER RTCA-DO-160C, SECTION 8, CURVE W
- 6 - TEMPERATURE RANGE: -67° F TO +275° F
- 7 - 3X CABLES PER RMS M27500-22RC2S06, GROUNDED TO SWITCH HOUSING
- 8 - ICING PER RTCA-DO-160C, SECTION 24, CATEGORY B
- 9 - SHOCK PER RTCA-DO-160C, SECTION 7
- 10 - SALT SPRAY PER RTCA-DO-160C, SECTION 14, CATEGORY S
- 11 - FLUID REQUIREMENTS PER RTCA-DO-160C, SECTION II, CATEGORY F
- 12 - CLEARANCE HOLE FOR OUTER KEYS AT .38 FROM SWITCH MOUNTING HOLE, Ø.125 AND .065 MINIMUM DEEP ON PANEL LABEL ENDS OF LEADWIRES - 2,4,6 COMMON WHITE WIRES 1,3,5 BLUE STRIPE WIRES PER CIRCUIT DIAGRAM
- 13 - HARDWARE MAY BE FURNISHED UNASSEMBLED
- 15 - STRAIN RELIEF PER M23053/4, CLASS II
- 16 - MINIMUM ELECTRICAL LIFE: 100,000 CYCLES
- 17 - TEMPERATURE VARIATION PER RTCA-DO-160C, SECTION 5, CATEGORY A, 2 CYCLES

ANSI Y14.5-1982 APPLIES

THIS DRAWING COVERS A PROPRIETARY ITEM AND IS THE PROPERTY OF MICRO SWITCH, A DIVISION OF HONEYWELL. THIS DRAWING IS NOT TO BE COPIED OR USED WITHOUT THE APPROVAL OF MICRO SWITCH

CHARACTERISTICS	ELECTRICAL DATA
OPERATING FORCE ----- 6-12 LBS	CONTACT ARRANGEMENT 3X S P N C - GOLD
FULL OVERTRAVEL FORCE ----- 30 LBS MAX	LOAD 28 VDC
RELEASE FORCE ----- 4 LBS MIN	SEA LEVEL 50,000 FT
PRETRAVEL ----- .040 MAX	RESISTIVE 10-50mA 10-50mA
DIFFERENTIAL TRAVEL ----- .020 MAX	INDUCTIVE -----
OVERTRAVEL ----- .250 MIN	

ELECTRICAL DATA		SCALE
CONTACT ARRANGEMENT 3X S P N C - GOLD		NONE
LOAD 28 VDC		DO NOT SCALE PRINT
SEA LEVEL 50,000 FT		UNLESS OTHERWISE SPECIFIED TOLERANCES ARE
RESISTIVE 10-50mA 10-50mA	ONE PLACE (1.0) ±.030	TWO PLACE (1.00) ±.015
INDUCTIVE -----	THREE PLACE (1.000) ±.005	ANGLES ±
	WEIGHT	

CATALOG LISTING 622EN241-6B
 ISSUE 3
 M PAGE 1 OF 1
 RELEASE NO. 201614
 REVISIONS
 A 202370
 B 0007513
 CHECK 30 OCT 00
 SAV 30 OCT 00
 CS L 30 OCT 00
 DRAWN
 RASTER