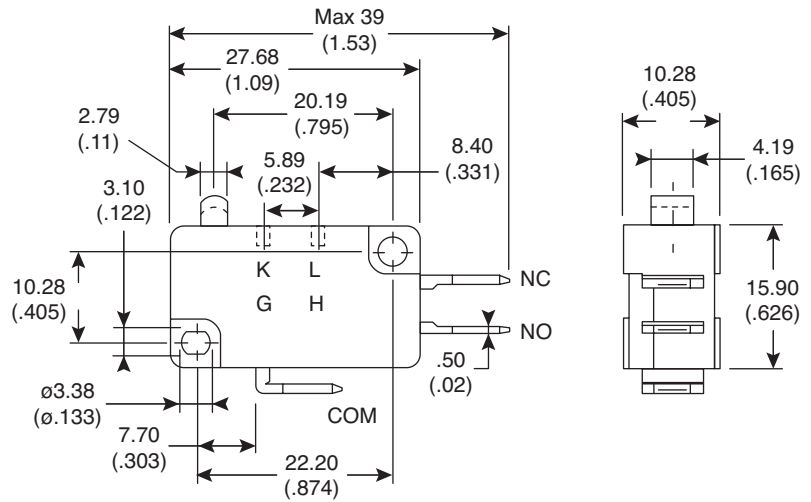
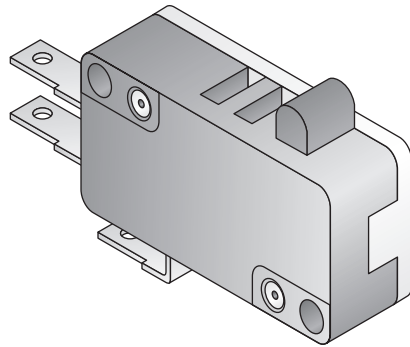
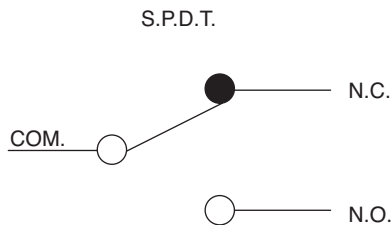


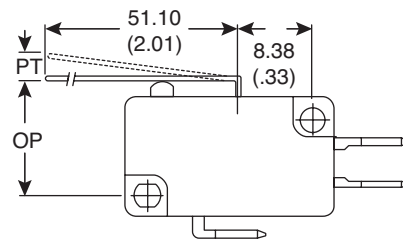
Dimensions: mm (In.)



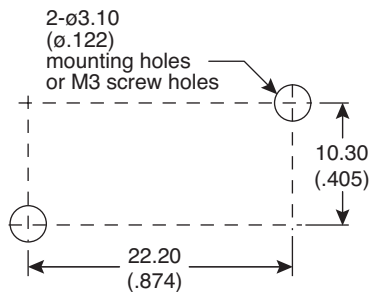
Contact Configuration



Operating Characteristics

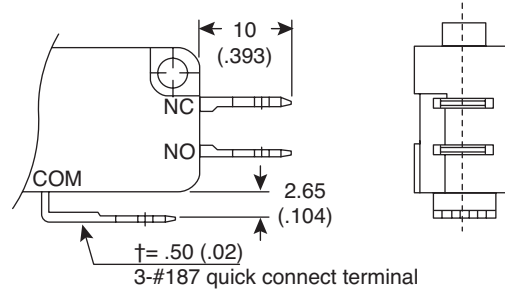


Mounting Holes



Terminal Type

Quick connect terminal 187 series



Electrical Specifications:

- Rating: 3A / 125/250 VAC
- Insulation Resistance (at 500VDC): 100M Ω Min.
- Dielectric Strength: 1,000VAC RMS (50-60HZ)
- Contact Resistance (initial): 30m Ω , 100m Ω Max.
- Electrical Operating Frequency: 10~30 operations/min
- Electrical Life: 6,000~100,000 operations

Mechanical Specifications:

- Mechanical Operating Frequency: 300 operations/min
- Mechanical Life: 5,000,000~ 10,000,000 operations

Note:

- RoHS compliant and process compatible with 260° solder.

Operating Characteristics:

- OF Max. (g): 13
- OP (mm): 15.3 \pm 2.5
- PT Max. (mm): 7.60
- OT Min. (mm): 3.00
- MD Max. (mm): 1.20

Miniature Snap Switch
 101-21-03-013ST-EV

