

X113914-YZ

**MICRO SWITCH**  
a Honeywell Division

FED. MFG. CODE 91929

**SWITCH - BASIC**

CATALOG LISTING  
**YZ-RX-D584**

CATALOG LISTING  
**YZ-RX-D584**

PAGE 1 OF 1

REPLACES

206612

**M**

ISSUE  
2

REVISIONS

A	0010793
	DVM 27 JAN 05

CHECK

27 JAN 05

AK

CHECK

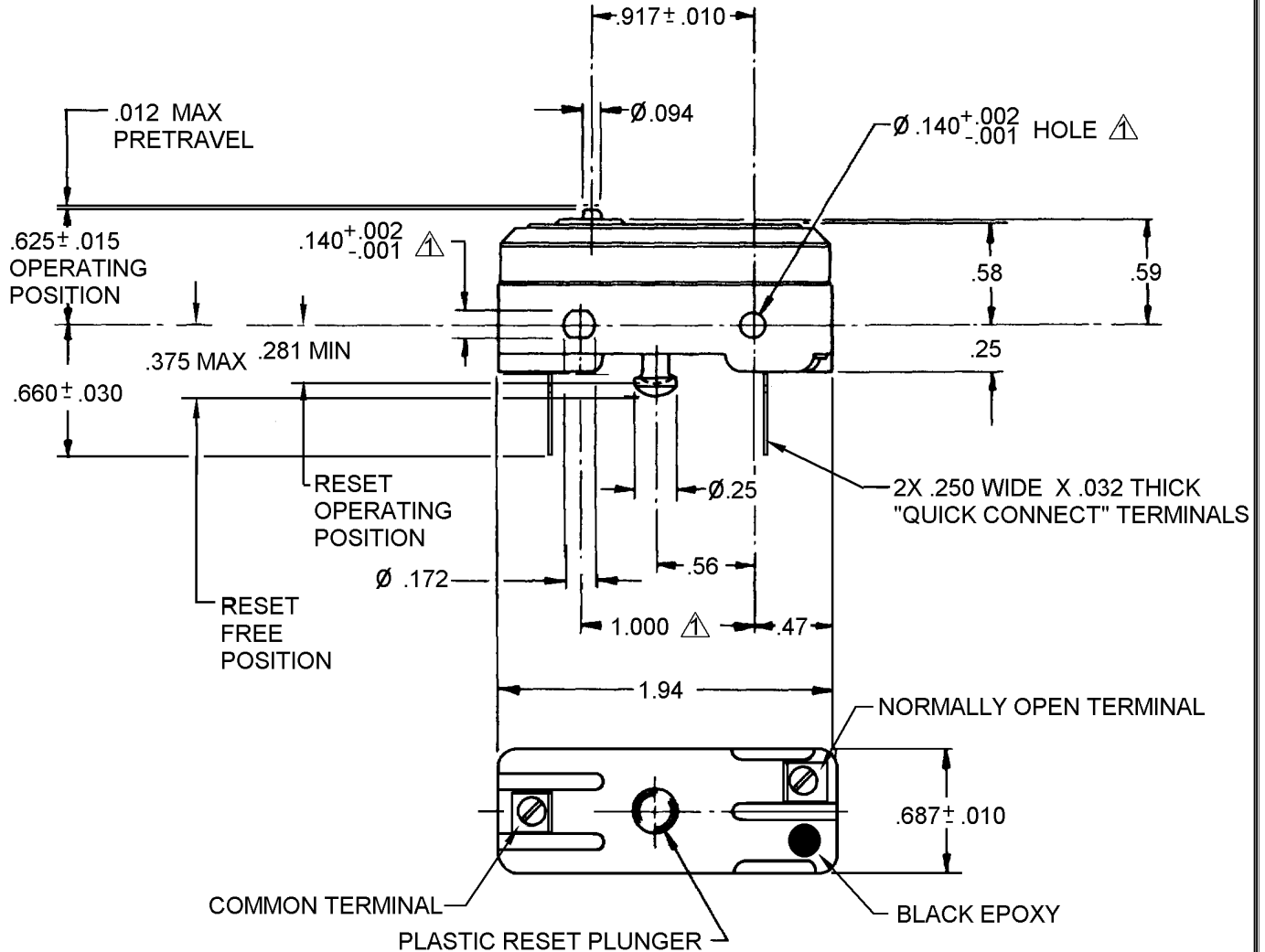
11 OCT 02

SAV

CHECK

11 OCT 02

TSM  
DRAWN



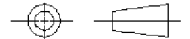
**NOTES**

▲ MOUNTING HOLES WILL ACCEPT PINS OR SCREWS OF Ø .139 MAX ON 1.000 ± .002 CENTERS

ANSI Y14.5M-1982 APPLIES

THIS DRAWING COVERS A PROPRIETARY ITEM AND IS THE PROPERTY OF MICRO SWITCH, A DIVISION OF HONEYWELL. THIS DRAWING IS NOT TO BE COPIED OR USED WITHOUT THE APPROVAL OF MICRO SWITCH.

THIRD ANGLE PROJECTION



**CHARACTERISTICS**

OPERATING FORCE..... 7-9 OZ  
OVERTRAVEL..... .005 MIN

**RESET CHARACTERISTICS**

OPERATING FORCE..... 2-10 OZ  
OVERTRAVEL..... .015 MIN

**ELECTRICAL DATA**

CONTACT ARRANGEMENT  
**S.P.N.O.**

L67 15A 125, 250 OR 480 VAC  
1/4HP 125 VAC, 1/2HP 250 VAC  
1/2A 125 VDC, 1/4A 250 VDC

FIG. 67



SCALE FULL

DO NOT SCALE PRINT

**UNLESS OTHERWISE SPECIFIED TOLERANCES ARE**

ONE PLACE (.0) ±.030

TWO PLACE (.00) ±.015

THREE PLACE (.000) ±.005

ANGLES ±

WEIGHT .055 LB