



MICRO SWITCH
 FREEPORT ILLINOIS
 A DIVISION OF HONEYWELL
 FED. MFG. CODE 91929

SWITCH - BASIC

CATALOG LISTING

YZ - 2R

AWF2000

FAA-PMA

YZ - 2R

PAGE 1 OF 1

M

DRAWING NUMBER

REPLACES

RELEASE NO.

13MAY08

ASD

CHECK

21MAR06

AS

CHECK

13MAY08

CHECK

0039796

26 MAR 63

LS D

CHECK

22 MAR 63

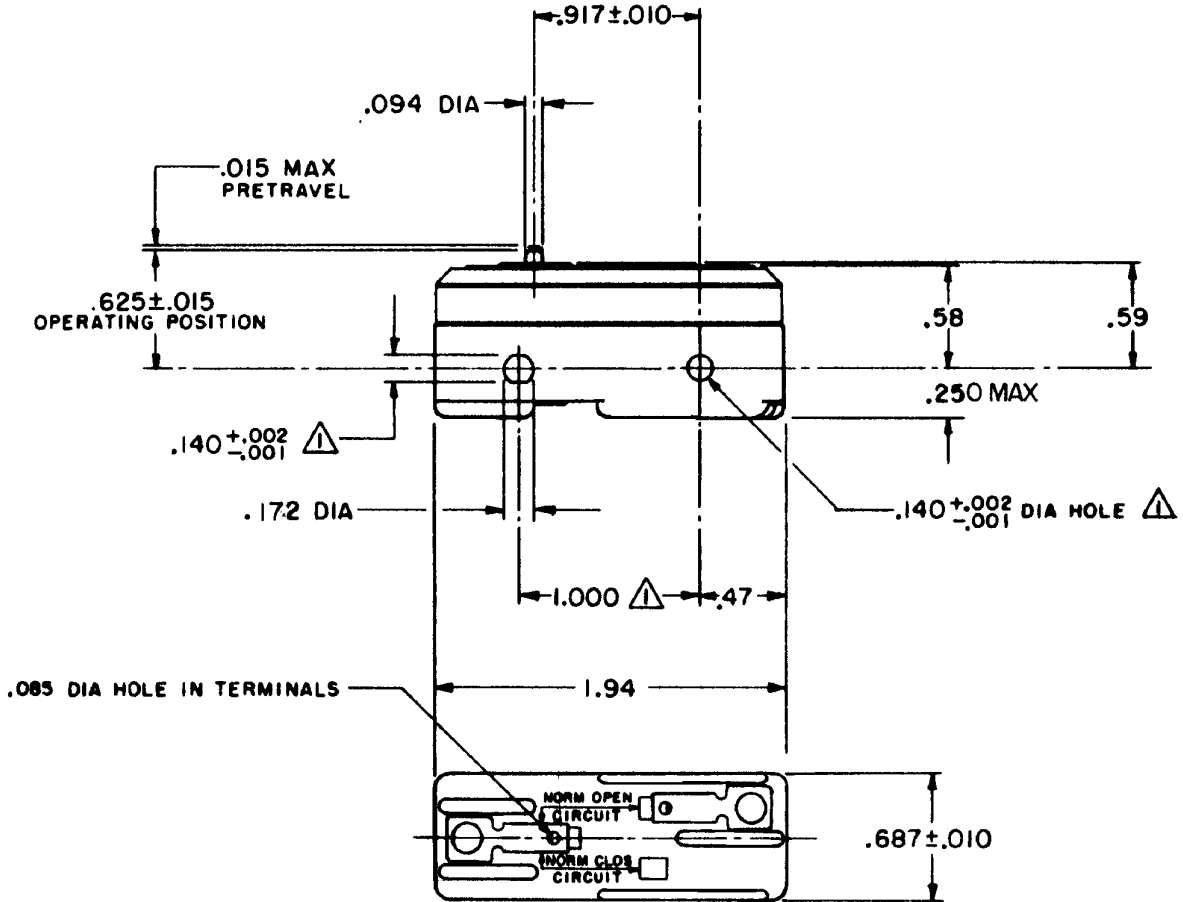
CHECK

FO-30378

RASTER

DRAWN

GCH



NOTE
 ▲ MOUNTING HOLES WILL ACCEPT PINS OR SCREWS
 OF .139 MAX DIA ON 1.000 ± .002 CENTERS

THIS DRAWING COVERS A PROPRIETARY ITEM AND IS THE PROPERTY OF MICRO SWITCH, A DIVISION OF MINNEAPOLIS-HONEYWELL REGULATOR CO. THIS DRAWING IS NOT TO BE COPIED OR USED WITHOUT THE APPROVAL OF MICRO SWITCH.

CHARACTERISTICS

OPERATING FORCE ----- 9-13 OZ

RELEASE FORCE ----- 4 OZ MIN

DIFFERENTIAL TRAVEL --- .0004-.0020

OVERTRAVEL ----- .005 MIN

ELECTRICAL DATA

CONTACT ARRANGEMENT
 S P N O

-L96- 15 A - 125, 250, OR 480 VAC
 1/2 A - 125 VDC, 1/4 A - 250 VDC
 1/8 HP - 125 VAC, 1/4 HP - 250 VAC

-L288-
 -L306-
 -L315-



16A 250V ~ T85 5E4

SCALE -

DO NOT SCALE PRINT

UNLESS OTHERWISE SPECIFIED
 DIMENSIONS ARE IN INCHES

TOLERANCES ARE:

ONE PLACE (.0) ± .030
 TWO PLACE (.00) ± .015
 THREE PLACE (.000) ± .005
 ANGLES ±

WEIGHT .050 LB