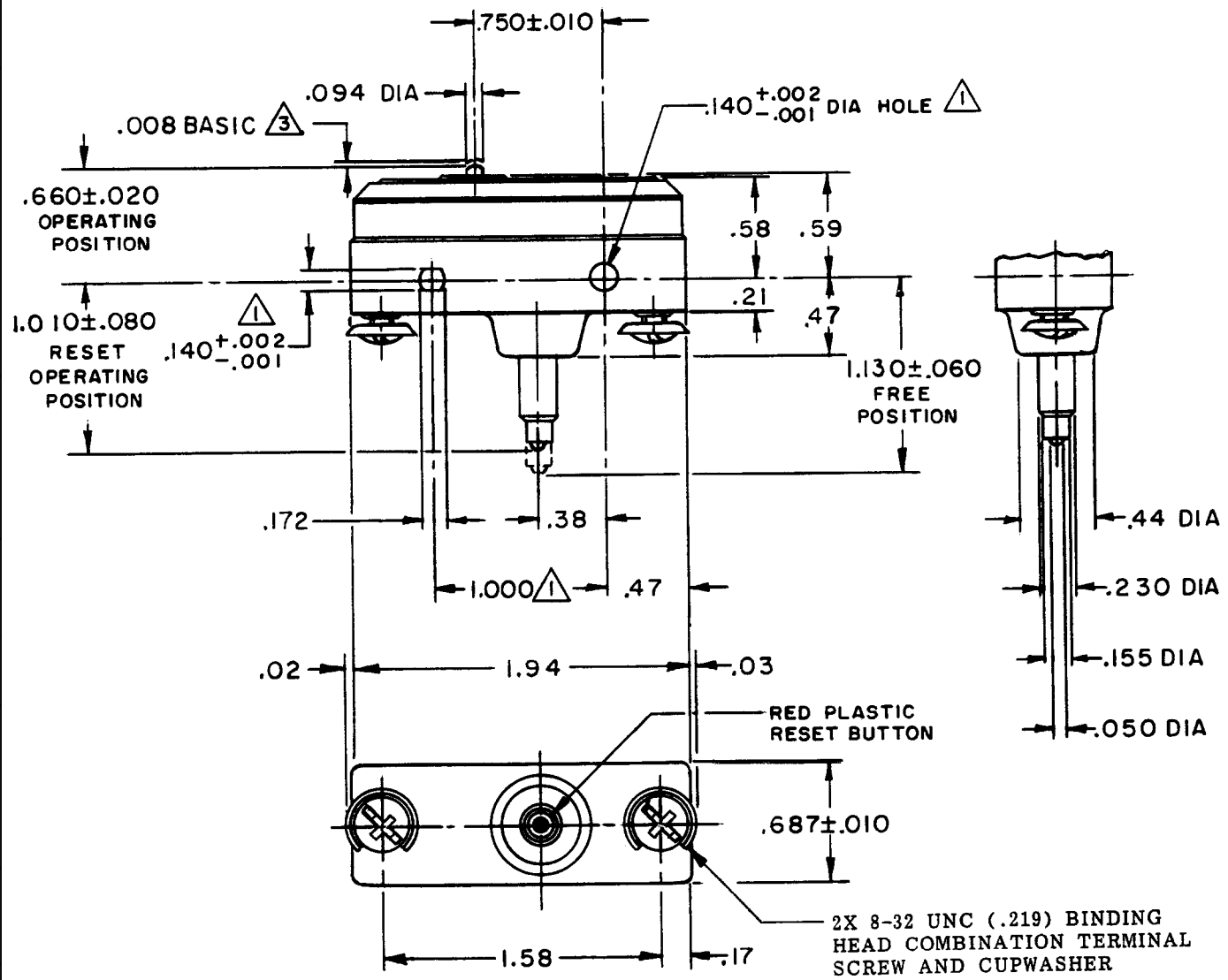
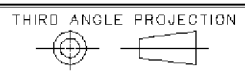


CATALOG LISTING
WA-1RX12-A4
PAGE 1 OF 1
REPLACES
SR-11810
ISSUE
M
13



- NOTES**
- ① MOUNTING HOLES WILL ACCEPT PINS OR SCREWS OF $.139$ MAX DIA ON $1.000 \pm .002$ CENTERS
 - 2 - SWITCH WILL NOT RECYCLE OR ACT AS A MOMENTARY ACTION SWITCH IF PIN PLUNGER IS RELEASED WHEN RESET PLUNGER IS CONTINUALLY DEPRESSED
 - ③ SWITCH MUST BE CAPABLE OF BEING RESET WHEN PIN PLUNGER IS RELEASED $.008$ BASIC FROM OPERATING POSITION

THIS DRAWING COVERS A PROPRIETARY ITEM AND IS THE PROPERTY OF MICRO SWITCH, A DIVISION OF HONEYWELL. THIS DRAWING IS NOT TO BE COPIED OR USED WITHOUT THE APPROVAL OF MICRO SWITCH.



CHARACTERISTICS	ELECTRICAL DATA	SCALE FULL	DO NOT SCALE PRINT
OPERATING FORCE - - - - - 4-16 OZ	CONTACT ARRANGEMENT	UNLESS OTHERWISE SPECIFIED TOLERANCES ARE	
OVERTRAVEL - - - - - .010 MIN	SINGLE POLE NORM CLOSED MAINTAINED CONTACT	ONE PLACE (.0) ±.030	
RESET CHARACTERISTICS	L178	TWO PLACE (.00) ±.015	
OPERATING FORCE - - - - - 32 OZ MAX	20A 125, 250, 277 VAC	THREE PLACE (.000) ±.005	
OVERTRAVEL - - - - - .040 MIN	3/4HP 125 VAC, 1 1/2HP 250 VAC	ANGLES ±	
	L288	WEIGHT	
	L299		
	L308		
	20(3)A 250V ~ T85 5E4		

FORMTEK
DRAWN
K D R 14 FEB 97
CHECK