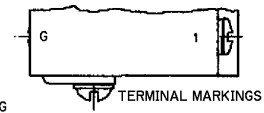
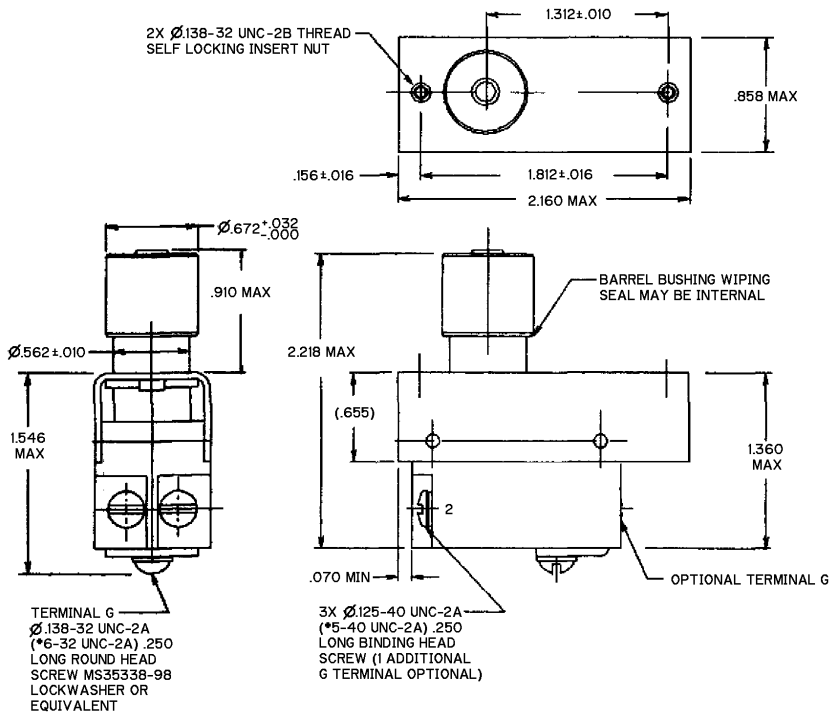


**MICRO SWITCH**  
a Honeywell Division  
FED. WFS. CODE 91929

SWITCH - ENCLOSED

CATALOG LISTING  
JS-200

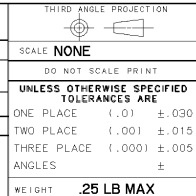


- NOTES
- 1 - SWITCH SEALED PER MIL-PRF-8805, SYMBOL I
  - 2 - TERMINAL HARDWARE PACKET FURNISHED UNASSEMBLED:  
15PA308-JS INCLUDES BUSS BRACKET AND TERMINAL SCREWS
  - 3 - MICRO SWITCH, MANUFACTURER'S CAGE CODE, CATALOG LISTING  
AND DATE CODE IDENTIFIED ON SIDE OF SWITCH
  - 4 - OPERATING TEMPERATURE RANGE: -40°C TO +85°C

THIS DRAWING COVERS A PROPRIETARY ITEM AND IS THE PROPERTY OF MICRO SWITCH, A DIVISION OF HONEYWELL. THIS DRAWING IS NOT TO BE COPIED OR USED WITHOUT THE APPROVAL OF MICRO SWITCH.

CHARACTERISTICS	ELECTRICAL DATA		
ACTUATING FORCE ----- 7 - 11 LBS	CONTACT ARRANGEMENT D P S T - N O		
FULL OVERTRAVEL FORCE ----- 20 LBS MAX	28 VDC		
RELEASE FORCE ----- .5 LB MIN		RATED LOAD OVERLOAD	
PRETRAVEL ----- .090 MIN	INDUCTIVE	.75	1.75
DIFFERENTIAL TRAVEL ----- .050 MIN			
OVERTRAVEL ----- .050 MIN			
TOTAL TRAVEL ----- .165 MIN			

THIRD ANGLE PROJECTION	
SCALE	NONE
DO NOT SCALE PRINT	
UNLESS OTHERWISE SPECIFIED TOLERANCES ARE	
ONE PLACE	(.01) $\pm$ .030
TWO PLACE	(.001) $\pm$ .015
THREE PLACE	(.0001) $\pm$ .005
ANGLES	$\pm$
WEIGHT	.25 LB MAX



ANSI Y14.5M-1982 APPLIES

CATALOG LISTING  
ISSUE  
2  
M  
PAGE 1 OF 1  
RELEASE NO. PR-24427  
REPLACES  
CHECK  
REVISIONS  
A 0000318  
CST  
30 MAY 03  
CHECK  
S A V 25 FEB 00  
CHECK  
DLM 25 FEB 00  
DRAWN