

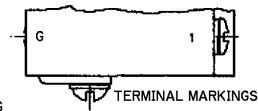
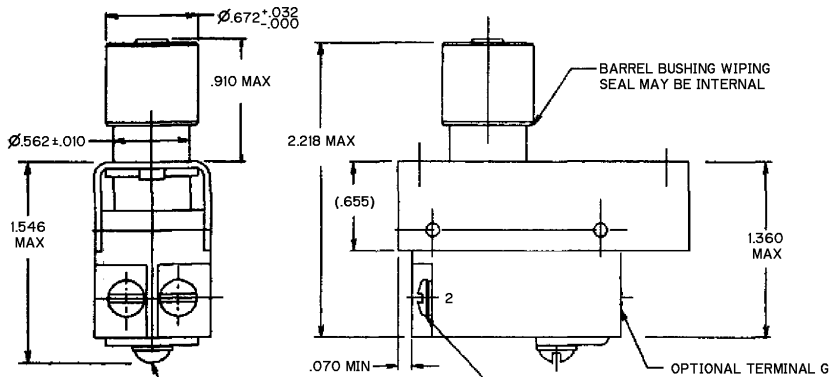
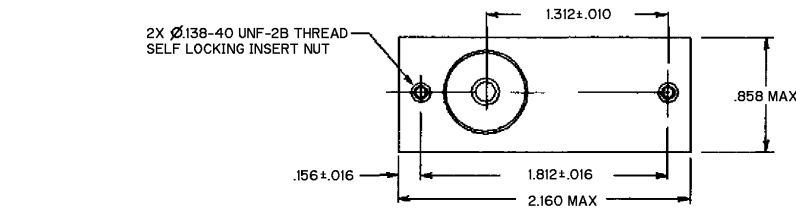
MICRO SWITCH
a Honeywell Division
FED. WFS. CODE 81929

SWITCH - ENCLOSED

CATALOG LISTING

JS-551

M8805/55-001



TERMINAL G
 $\varnothing .138-32$ UNC-2A
(* $\varnothing 6-32$ UNC-2A) .250
LONG ROUND HEAD
SCREW MS35338-98
LOCKWASHER OR
EQUIVALENT

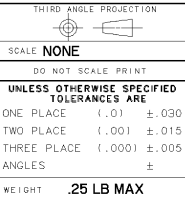
3X $\varnothing .125-40$ UNC-2A
(* $\varnothing 5-40$ UNC-2A) .250
LONG BINDING HEAD
SCREW (1 ADDITIONAL
G TERMINAL OPTIONAL)

- NOTES
- 1 - SWITCH SEALED PER MIL-PRF-8805, SYMBOL I
 - 2 - TERMINAL HARDWARE PACKET FURNISHED UNASSEMBLED:
15PA308-JS INCLUDES BUSS BRACKET AND TERMINAL SCREWS
 - 3 - MICRO SWITCH, MANUFACTURER'S CAGE CODE, CATALOG LISTING,
MILITARY PART NUMBER AND DATE CODE IDENTIFIED ON SIDE OF SWITCH
 - 4 - OPERATING TEMPERATURE RANGE: -40°C TO $+85^{\circ}\text{C}$

THIS DRAWING COVERS A PROPRIETARY ITEM AND IS THE PROPERTY OF MICRO SWITCH, A DIVISION OF HONEYWELL. THIS DRAWING IS NOT TO BE COPIED OR USED WITHOUT THE APPROVAL OF MICRO SWITCH.

CHARACTERISTICS	ELECTRICAL DATA
ACTUATING FORCE ----- 7 - 11 LBS	CONTACT ARRANGEMENT D P S T - N O
FULL OVERTRAVEL FORCE ----- 20 LBS MAX	
RELEASE FORCE ----- .5 LB MIN	28 VDC
PRETRAVEL ----- .090 MIN	RATED LOAD OVERLOAD
DIFFERENTIAL TRAVEL ----- .050 MIN	INDUCTIVE .75 1.75
OVERTRAVEL ----- .050 MIN	
TOTAL TRAVEL ----- .165 MIN	

THIRD ANGLE PROJECTION	
SCALE	NONE
DO NOT SCALE PRINT	
UNLESS OTHERWISE SPECIFIED TOLERANCES ARE	
ONE PLACE	(.01) \pm .030
TWO PLACE	(.001) \pm .015
THREE PLACE	(.0001) \pm .005
ANGLES	\pm
WEIGHT	.25 LB MAX



ANSI Y14.5M-1982 APPLIES

CATALOG LISTING
ISSUE
3
M
PAGE 1 OF 1
RELEASE NO. PR-24110
REPLACES
REVISIONS
A 10/28/88
B 10/28/88
C 10/28/88
D 10/28/88
E 10/28/88
F 10/28/88
G 10/28/88
H 10/28/88
I 10/28/88
J 10/28/88
K 10/28/88
L 10/28/88
M 10/28/88
N 10/28/88
O 10/28/88
P 10/28/88
Q 10/28/88
R 10/28/88
S 10/28/88
T 10/28/88
U 10/28/88
V 10/28/88
W 10/28/88
X 10/28/88
Y 10/28/88
Z 10/28/88
FORMTEK
DRAWN
JJA 16 OCT 99
CHECK SAV 6 OCT 99