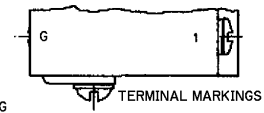
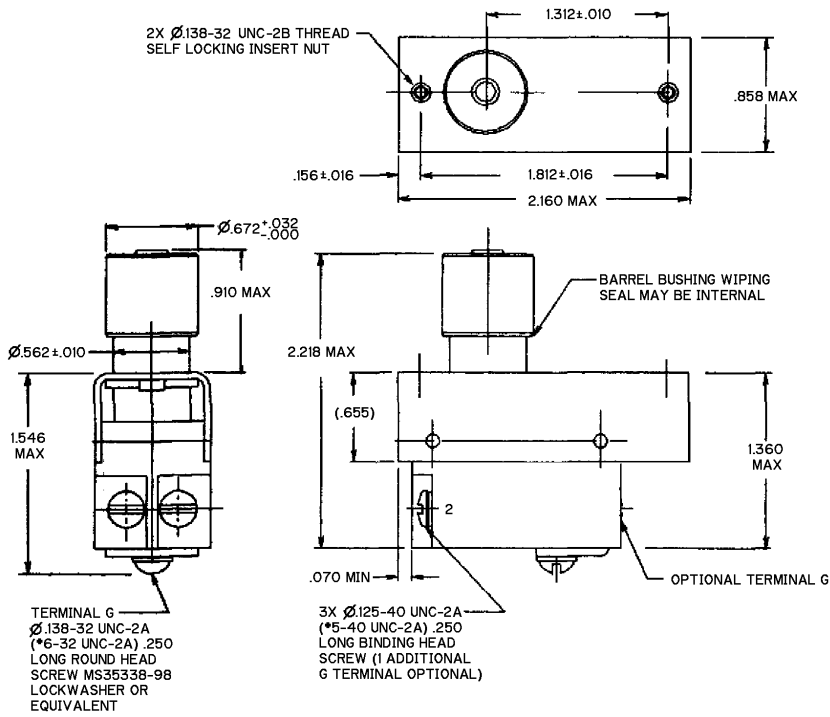


MICRO SWITCH
a Honeywell Division
FED. WFS. CODE 9192P

SWITCH - ENCLOSED

CATALOG LISTING
JS-557
M8805/55-007

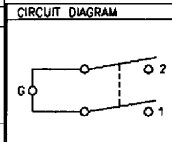


- NOTES
- 1 - SWITCH SEALED PER MIL-PRF-8805, SYMBOL 3
 - 2 - TERMINAL HARDWARE PACKET FURNISHED UNASSEMBLED: 15PA308-JS INCLUDES BUSS BRACKET AND TERMINAL SCREWS
 - 3 - MICRO SWITCH, MANUFACTURER'S CAGE CODE, CATALOG LISTING, MILITARY PART NUMBER AND DATE CODE IDENTIFIED ON SIDE OF SWITCH
 - 4 - OPERATING TEMPERATURE RANGE: -40°C TO +85°C

THIS DRAWING COVERS A PROPRIETARY ITEM AND IS THE PROPERTY OF MICRO SWITCH, A DIVISION OF HONEYWELL. THIS DRAWING IS NOT TO BE COPIED OR USED WITHOUT THE APPROVAL OF MICRO SWITCH.

CHARACTERISTICS	ELECTRICAL DATA
ACTUATING FORCE ----- 7 - 11 LBS	CONTACT ARRANGEMENT D P S T - N O
FULL OVERTRAVEL FORCE----- 20 LBS MAX	28 VDC
RELEASE FORCE----- .5 LB MIN	RATED LOAD OVERLOAD
PRETRAVEL----- .090 MIN	INDUCTIVE .75 1.75
DIFFERENTIAL TRAVEL----- .050 MIN	
OVERTRAVEL----- .050 MIN	
TOTAL TRAVEL----- .165 MIN	

THIRD ANGLE PROJECTION	
SCALE	NONE
DO NOT SCALE PRINT	
UNLESS OTHERWISE SPECIFIED TOLERANCES ARE	
ONE PLACE	(.01) \pm .030
TWO PLACE	(.001) \pm .015
THREE PLACE	(.0001) \pm .005
ANGLES	\pm
WEIGHT	.25 LB MAX



ANSI Y14.5M-1982 APPLIES

CATALOG LISTING
ISSUE
3
M
PAGE 1 OF 1
RELEASE NO. PR-24110
CHECK
SAV 7 OCT 99
DRAWN
JJA 17 OCT 99
CHECK