

MICRO SWITCH
a Honeywell Division

SWITCH - ENCLOSED

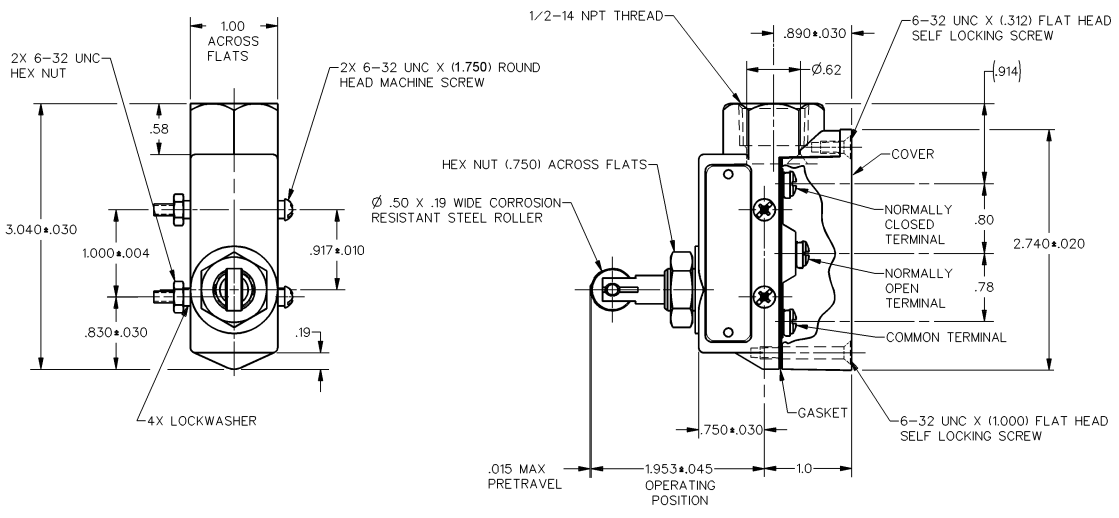
CATALOG LISTING
BZE6-2R0841-BP

FED. MFG. CODE 91929

BZE6-2R0841-BP
 DRAWING NUMBER
 ISSUE 15
 PSR 29AUG07
 RELEASE NO. PR-19685
 REPLACES

REVISIONS
 A 175618
 08 SEP 92
 B 175655
 22 FEB 93
 C 0010884
 19 NOV 98
 D 0032014
 29 AUG 07

RASTER
 DRAWN
 MAM 10 DEC 91
 CHECKED
 TSM 11 DEC 91
 CHECKED
 RJ 10 NOV 03
 CHECKED



THIS DRAWING COVERS A PROPRIETARY ITEM AND IS THE PROPERTY OF MICRO SWITCH, A DIVISION OF HONEYWELL. THIS DRAWING IS NOT TO BE COPIED OR USED WITHOUT THE APPROVAL OF MICRO SWITCH

CHARACTERISTICS	
OPERATING FORCE	9-13 OZ
RELEASE FORCE	4 OZ MIN
DIFFERENTIAL TRAVEL	.002 MAX
OVERTRAVEL	.140 MN
SWITCH - BASIC REPLACEMENT - BZ-2R0784	

ELECTRICAL DATA	
CONTACT ARRANGEMENT S P D T	
L74	15A 125, 250 OR 480 VAC 2A 600 VAC 1/8HP 125 VAC, 1/4HP 250 VAC 1/2A 125 VDC, 1/4A 250 VDC
1.5A, 240 Vac	

THIRD ANGLE PROJECTION	
SCALE FULL	
DO NOT SCALE PRINT	
UNLESS OTHERWISE SPECIFIED TOLERANCES ARE	
ONE PLACE	(.01) ± .030
TWO PLACE	(.001) ± .015
THREE PLACE	(.0001) ± .005
ANGLES	±
WEIGHT .56 LB	

NOTE
 1 - 3X 6-32 UNC X (.219) BINDING HEAD TERMINAL SCREW AND CUPWASHER
 2 - SEAL RATING: NEMA 1 IP40

ANSI Y14.5M-1992 APPLIES