

C&K TL Series Door Interlock Switches

Features/Benefits

- Push/pull motion
- Multiple mounting configurations
- Wide variety of termination options
- Ratings up to 15 AMPS

Typical Applications

- Computer enclosures
- Panel builders
- Industrial enclosures



Specifications

CONTACT RATING: 15 AMPS @ 125 & 250 V AC; 0.25 AMP @ 250 V DC; 0.5 AMP @ 125 V DC; 1/2 HP @ 125 & 250 V AC; 3 AMPS @ 125 V AC "L".

ELECTRICAL LIFE: 150,000 cycles at 15 AMPS @ 250 V AC.

INSULATION RESISTANCE: 1,000 M Ω min.

DIELECTRIC STRENGTH: 1,000 Vrms min. @ sea level.

OPERATING TEMPERATURE: -67°F to 302°F (-55°C to 150°C).

NOTE: Specifications and materials listed above are for switches with standard options. For information on specific and custom switches, consult Customer Service Center.

Materials

SWITCH HOUSING: Thermoplastic or general purpose phenolic (UL 94V-0).

MOUNTING BRACKET: Stainless steel.

PLUNGER: Stainless steel.

ACTUATOR BUTTON: Thermoplastic (UL 94V-0).

SPRING: Copper alloy.

PIVOT: Brass alloy.

MOVABLE CONTACT: Fine silver.

STATIONARY CONTACTS: Fine silver.

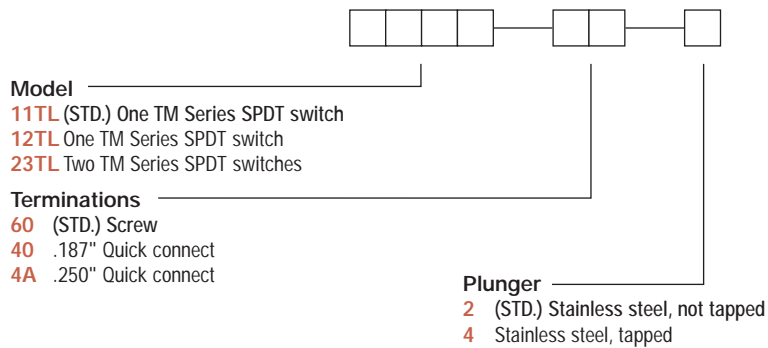
TERMINALS: Copper alloy.



Snap-acting

Build-A-Switch

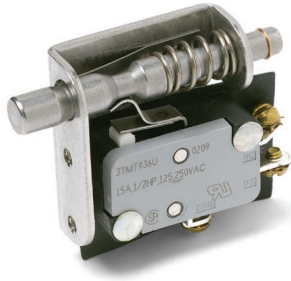
To order, simply select desired option from each category and place in the appropriate box. Available options are shown and described on pages J-42 and J-43. For additional options not shown in catalog, consult Customer Service Center.



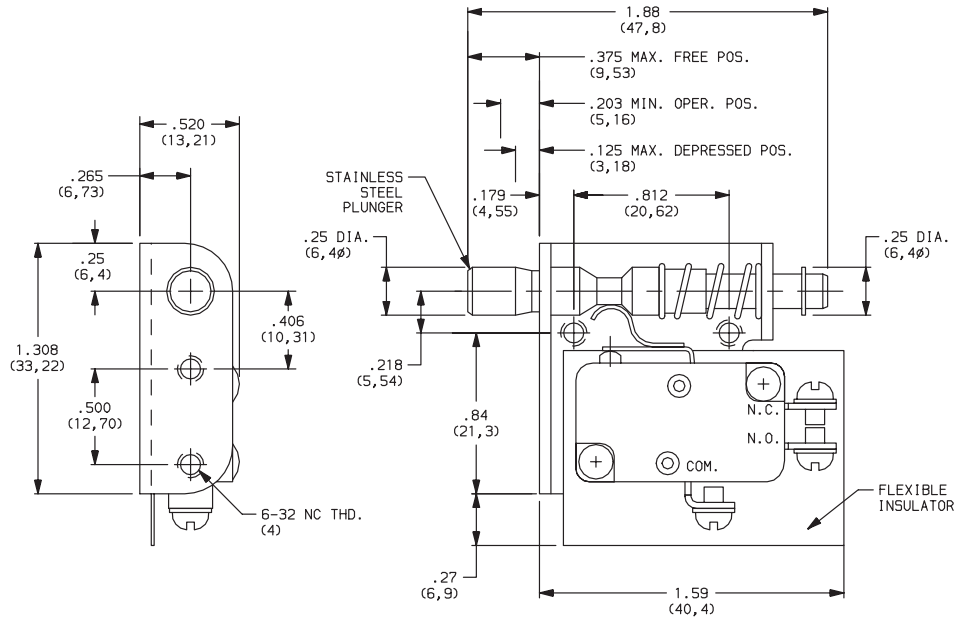
C&K TL Series Door Interlock Switches

MODEL

11TL (STD.) WITH SMALL BRACKET



11TL602
SPDT

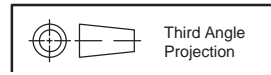
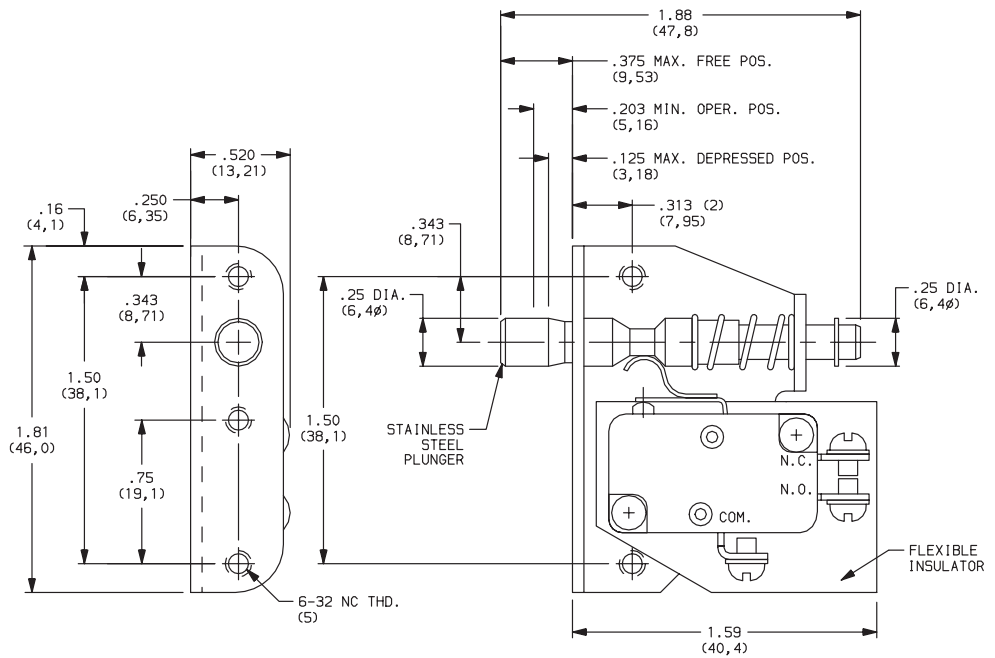


Snap-acting

12TL WITH LARGE BRACKET



12TL602
SPDT

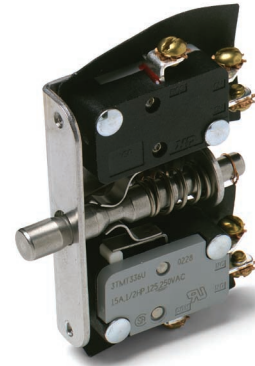
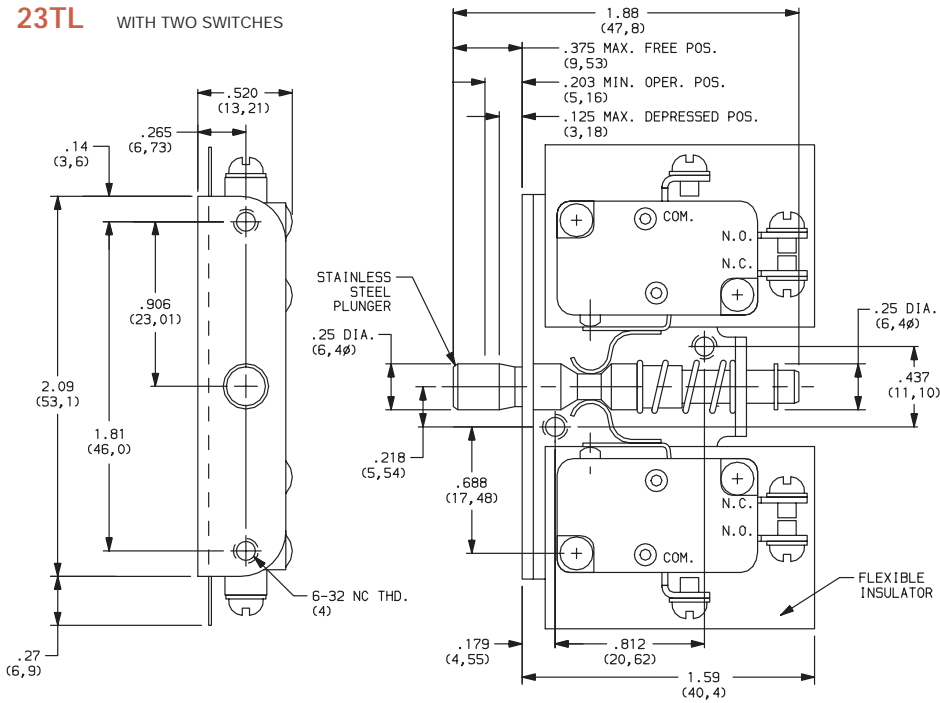


Dimensions are shown: IN (mm)
Dimensions subject to change

C&K TL Series Door Interlock Switches

MODEL

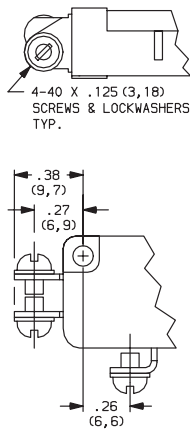
23TL WITH TWO SWITCHES



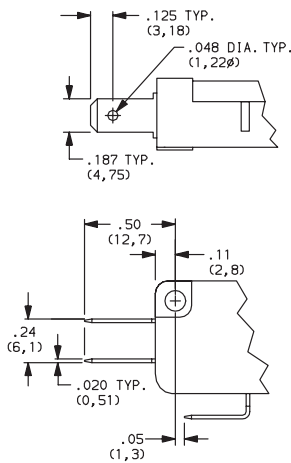
23TL602
SPDT

TERMINATIONS

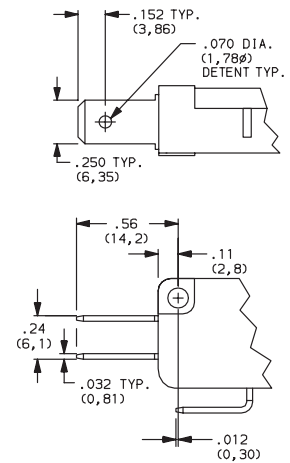
60 (STD.) SCREW TERMINALS



40 .187" QUICK CONNECT



4A .250" QUICK CONNECT



PLUNGERS

2 (STD.) STAINLESS STEEL, NOT TAPPED

4 STAINLESS STEEL, TAPPED 4-40 x .375 (9,52) min. depth



Snap-acting



Dimensions are shown: IN (mm)
Dimensions subject to change