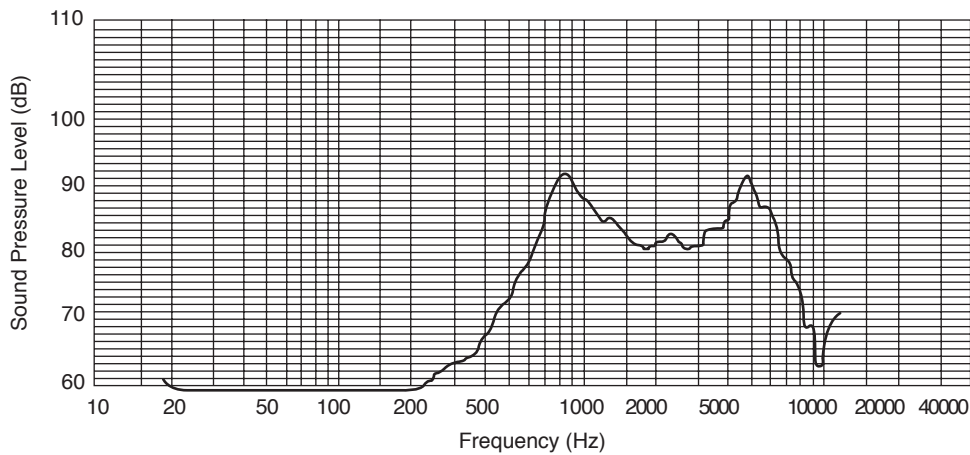
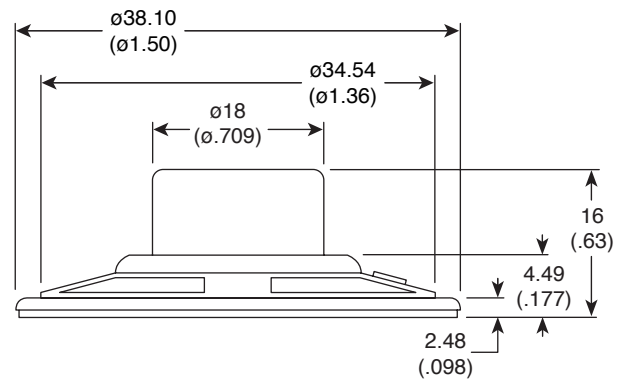
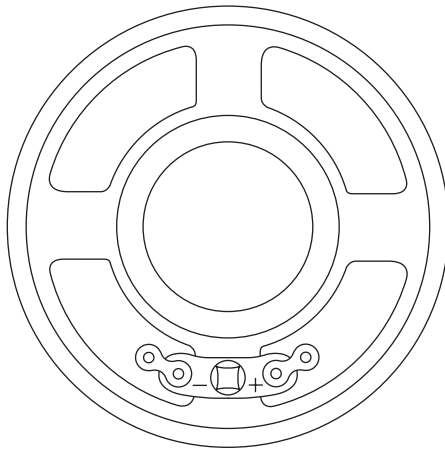


Part Number:

25SP007



Speaker

KT-400039

Electrical Specifications:

- Impedance: $100\Omega \pm 15\Omega$ @ 800Hz, 1V
- Resonance frequency: 650Hz \pm 130Hz
- Frequency range: 650-4KHz
- Sound pressure level: 85dB/W \pm 2dB

Material:

- Input power: 0.1W nom., 0.2W max.
- Magnet: Alnico; weight (0.35oz.)