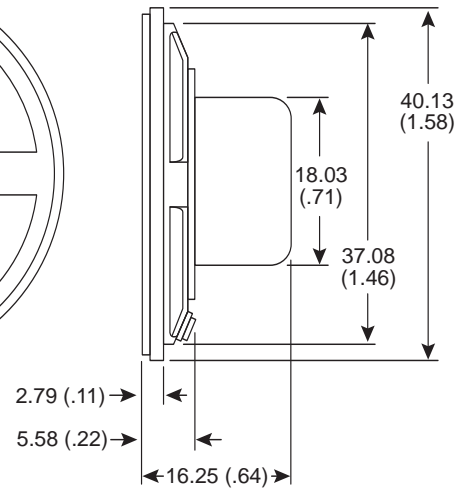
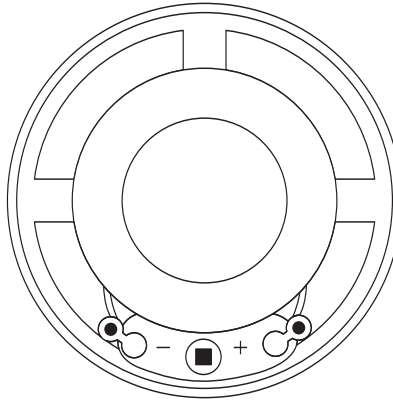
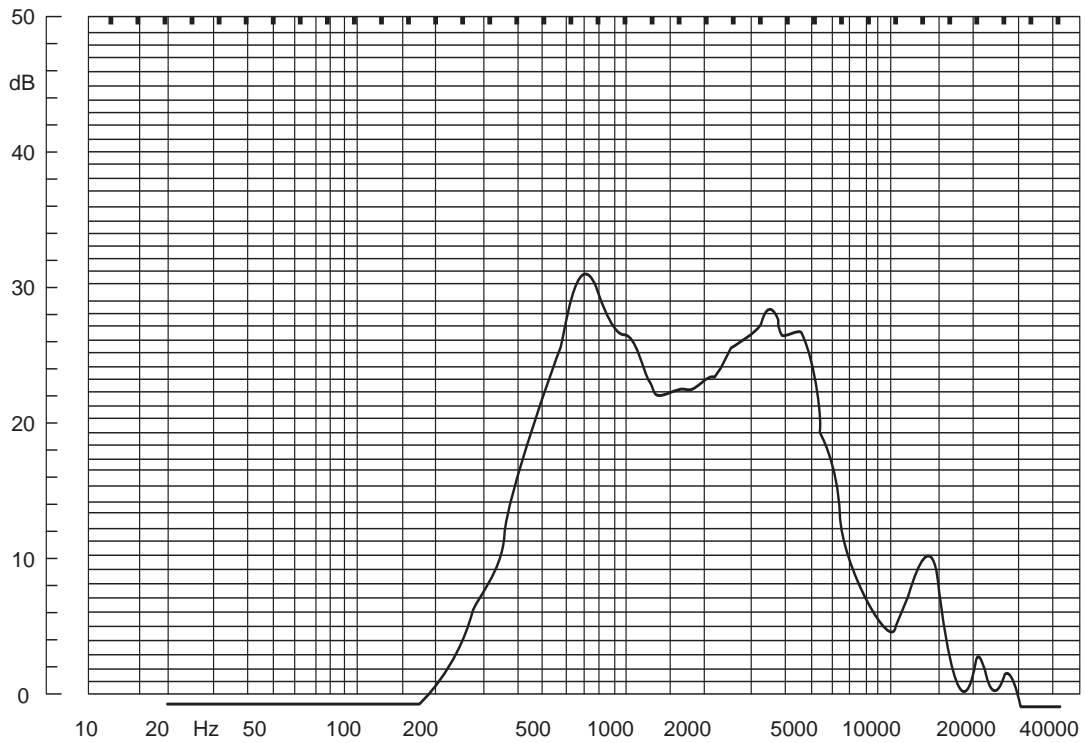


Part Number:

253-2115



Frequency Response



Zero Level: 60dB

Speaker

KT-400202

Electrical Specifications:

- Impedance: 100Ω±15% @ 1V, 1KHz
- Resonance Frequency: 700Hz±140Hz @ 1V
- Frequency Range: 700Hz ~ 5KHz
- Sensitivity: 82dB/W ±2dB
- Input Power: 0.2W nominal

Materials:

- Magnet: Alnico, .35oz