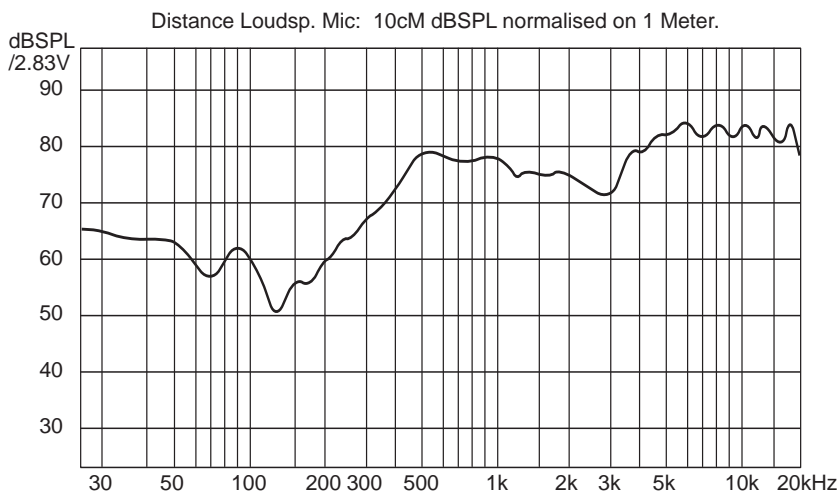
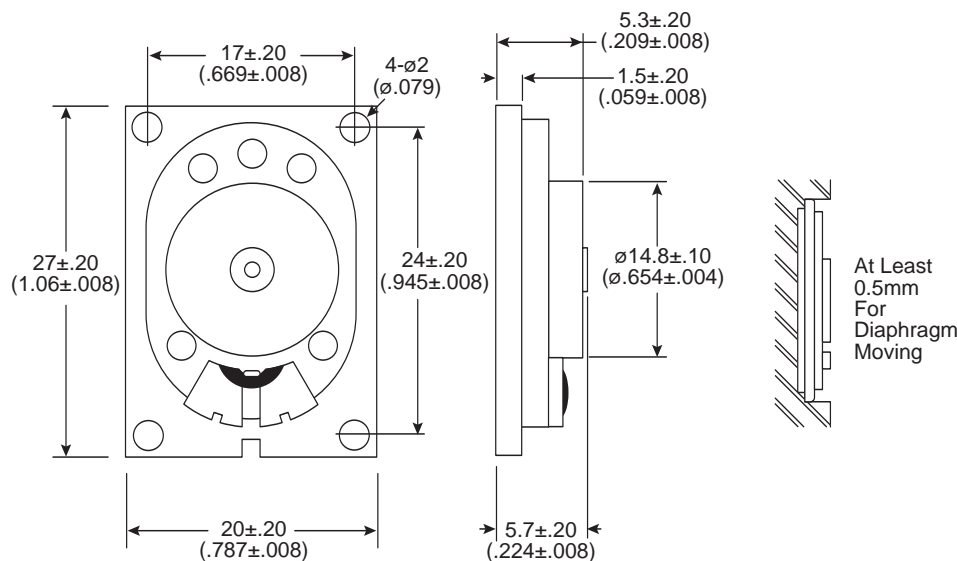


Part Number:

253-2027CP08



Speaker

KT-400197

Electrical Specifications:

- Nominal Impedance: $8\Omega \pm 15\%$ @ 1000Hz
- Power Rating: Normal - 1.0W, 2.0W max.
- Frequency Range: 350~20kHz, average SPL-10dB
- Distortion: 5% max. @ 1000Hz 1.0W

Materials:

- Weight: 5.5g
- Magnet: Rare earth

Mechanical Specifications:

- Polarity: Diaphragm shall move forward when a positive DC current is applied to the "+" or "marked" terminal.

Available from Mouser Electronics

www.mouser.com

(800) 346-6873