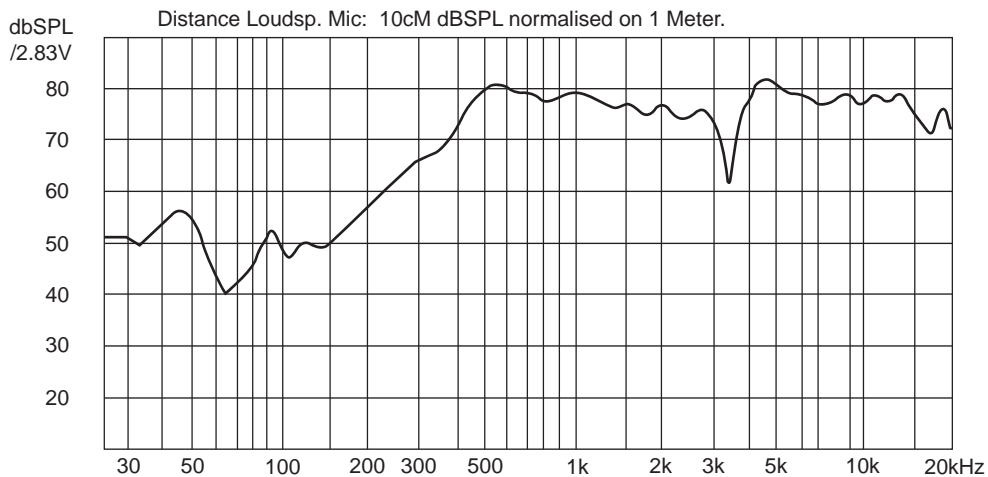
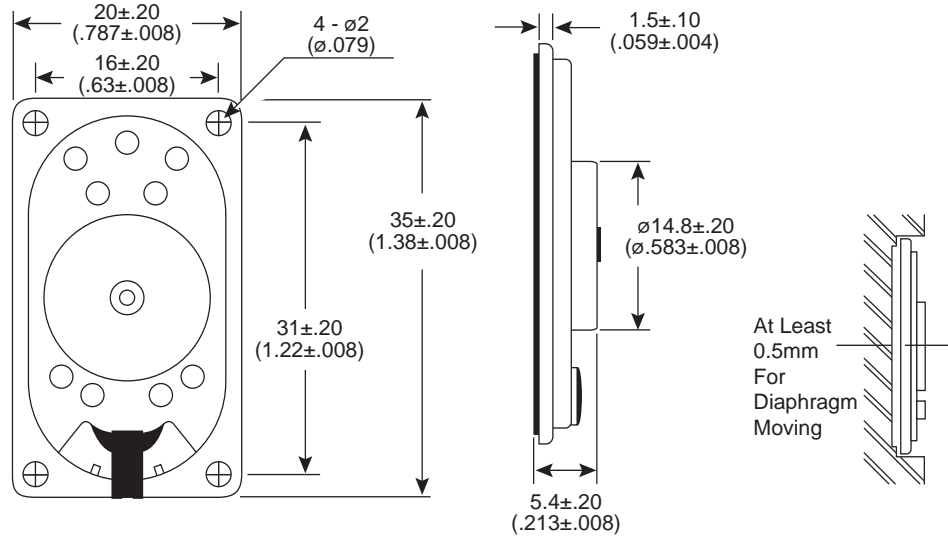


**Part Number:**

253-2035CP08



**Speaker**

KT-400198

**Electrical Specifications:**

- Nominal Impedance:  $8\Omega \pm 15\%$  @ 1000Hz
- Power Rating: Normal - 1.0W, 2.0W max.
- Frequency Range: 400Hz~20Hz, average SPL-10dB
- Distortion: 5% max. @ 1000Hz 1.0W

**Materials:**

- Magnet: Rare earth

**Mechanical Specifications:**

- Polarity: Diaphragm shall move forward when a positive DC current is applied to the "+" or "marked" terminal.