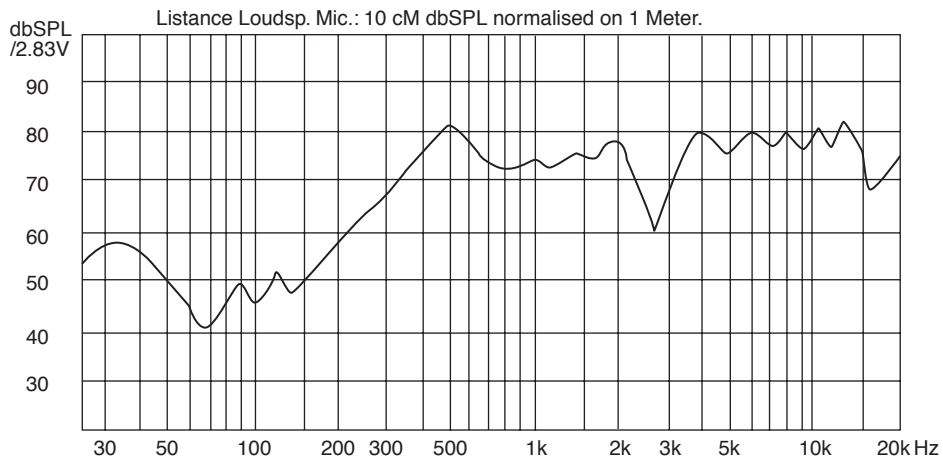
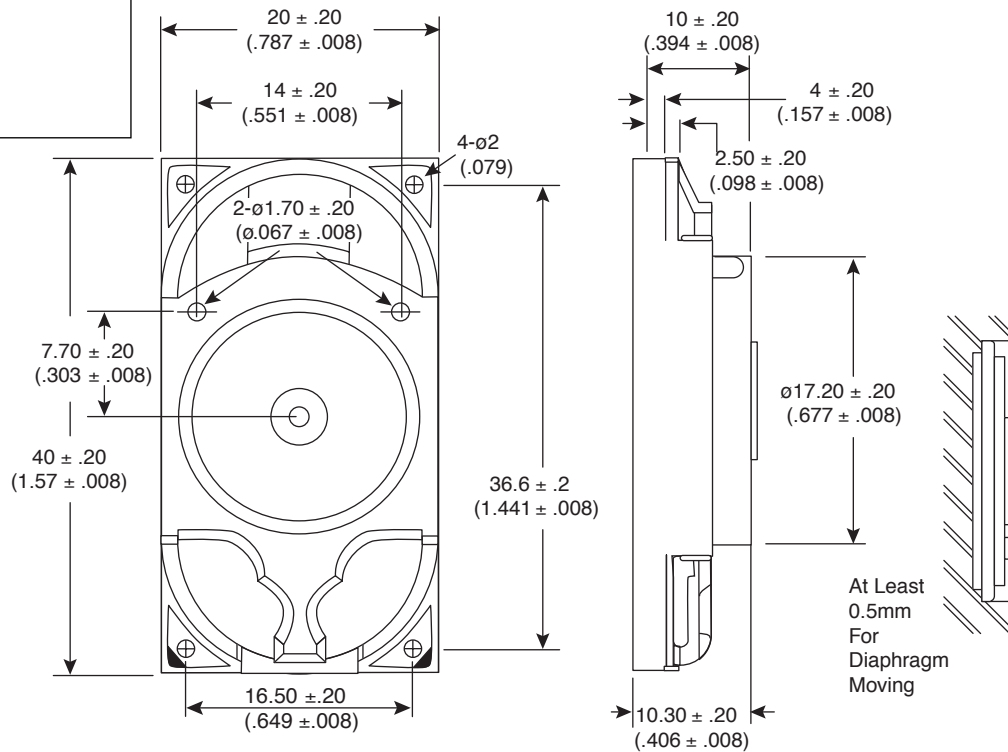


Part Number:

253-2040CP08-8



Speaker

Electrical specifications:

- Nominal impedance: $8\Omega \pm 15\%$ at 1000Hz
- Power rating: Normal 1.0w max. 2.0w
- Frequency range: 300 ~ 20kHz average SPL-10dB
- Distortion: 5% max. at 1000Hz 1.0w

Mechanical specifications:

- Operating Temperature: -25°C to $+70^{\circ}\text{C}$
- Polarity: diaphragm shell move forward when apply a positive DC current is applied to the "+" or "marked" terminal

Material:

- Magnet: rare earth

KT-400087