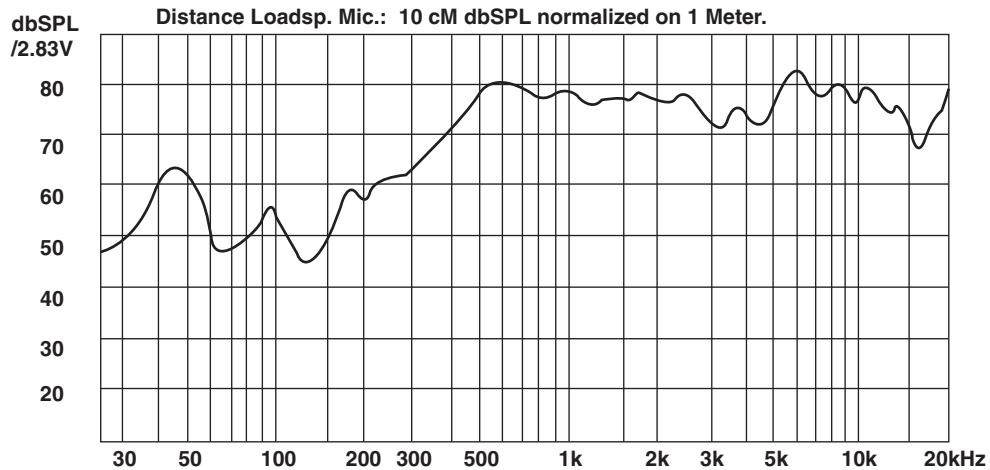
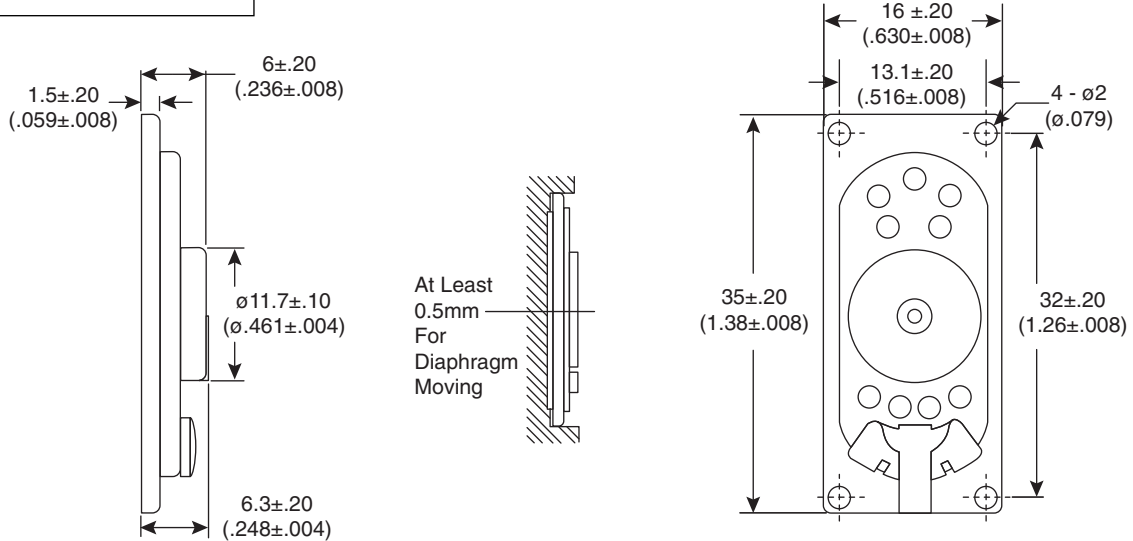


Part Number:

253-1635CP08



Speaker

KT-400192

Mechanical Specifications:

- Polarity: diaphragm shall move forward when a positive DC current is applied to the "+" or "marked" terminal

Materials:

- Weight: 4g
- Magnet: rare earth, size $\phi 8 \times \phi 2 \times 1.5$ mm

Electrical Specifications:

- Nominal Impedance: $8\Omega \pm 15\%$ at 1000Hz
- Power Rating: normal 1.0w max. 2.0w
- Frequency range: 350 ~ 20 KHz average SPL-10dB
- Distortion: 5% max. at 1000Hz 1.0w