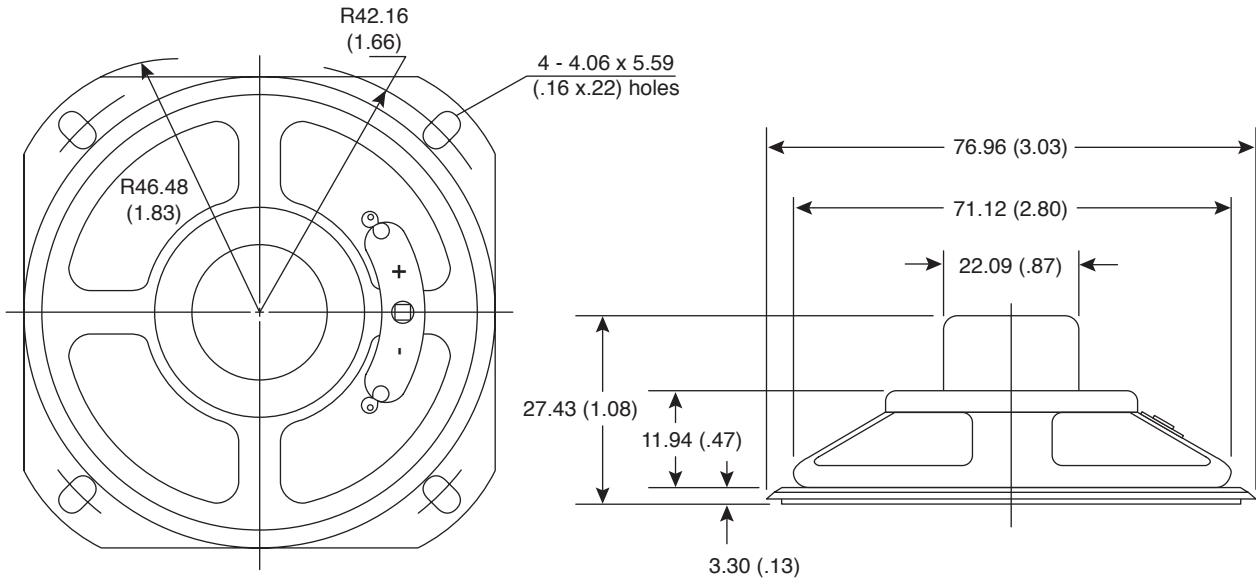
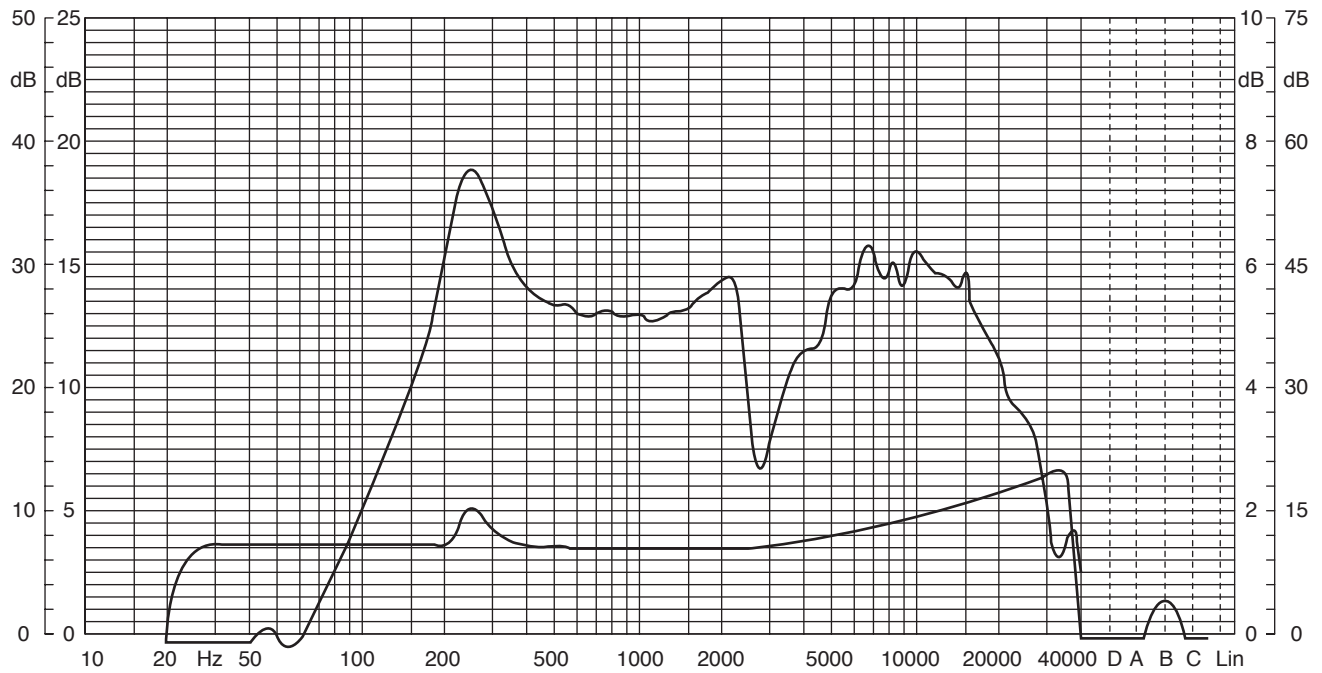


Part Number:

253-2130



Speaker



KT-400204

Electrical Specifications:

- Impedance: $8\Omega \pm 15\%$
- Resonant frequency: 220
- Frequency range: 220Hz~10KHz
- Max. power: 0.2W
- Rated power: 0.1W