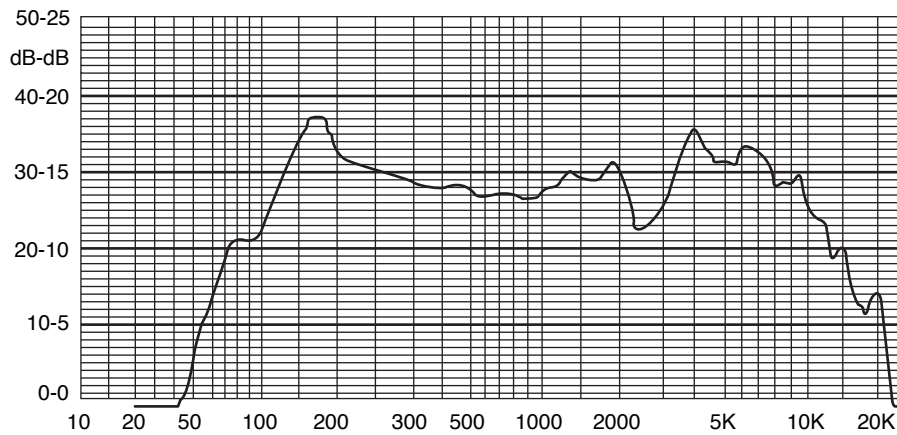
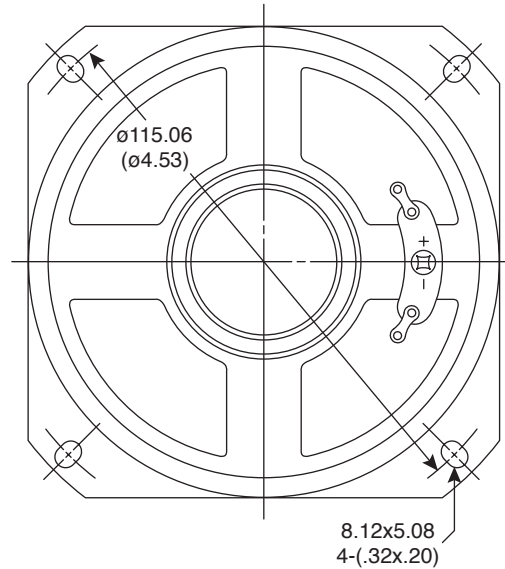
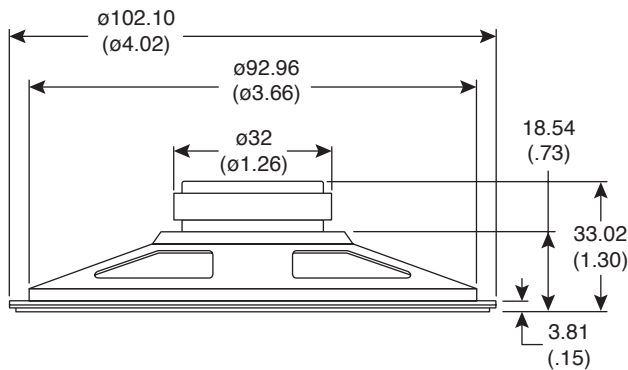


Part Number:

25SF237



Speaker

KT-400236

Electrical Specifications:

- Type: 4" square, top quality communications
- Impedance: $8\Omega \pm 15\%$ @ 600Hz, 1V
- Resonant frequency: 190Hz \pm 35Hz @ 1V
- S.P. level: 87dB/W \pm 2dB @ 1m
- Response: 180Hz~10kHz
- Input power: 0.8W nom., 1.0W max.