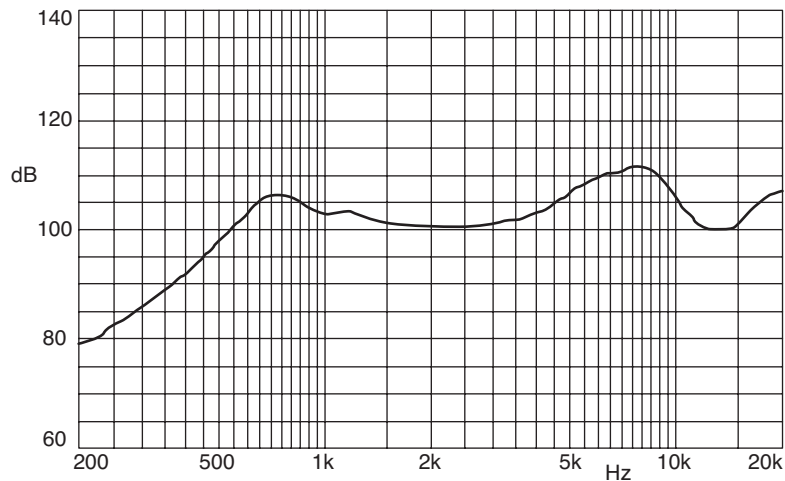
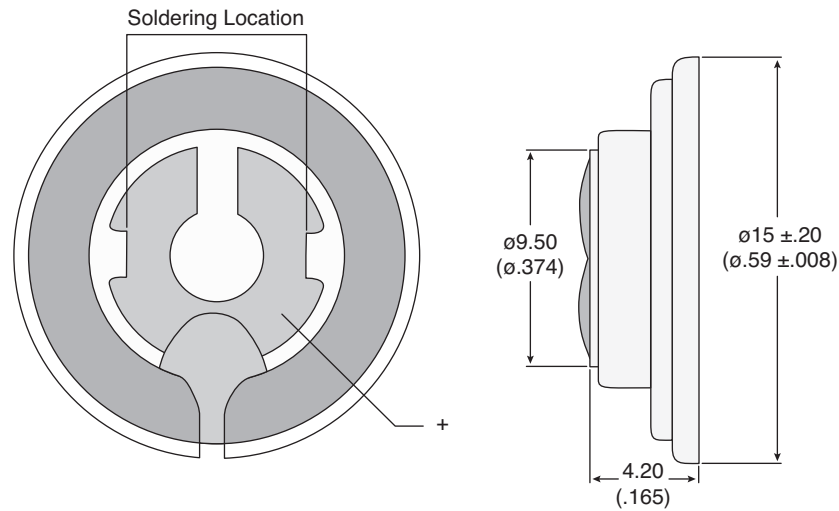


**Part Number:**

254-PS602



Speaker

KT-400166

**Electrical Specifications:**

- Nominal Impedance: 32Ω ±15% @ 1200Hz. / 0.98V
- Power Rating: Normal 0.03W Maximum 0.05W
- Lowest Resonant Frequency: 680 ±150Hz.
- Output Sound Pressure Level (S.P.L.): 102 ±3dB / 0.03W 0.01 Meter. Avg at 1000 ~ 2000Hz.
- Frequency Range: 400 ~ 20,000Hz.
- Distortion: Max. 5% at 1600Hz. 0.03W

**Material:**

- Magnet: NDFEB
- Weight: 1.5g

**Mechanical Specifications:**

- Operating Temperature: -25°C ~ +50°C
- Storage Temperature: -25°C ~ +55°C