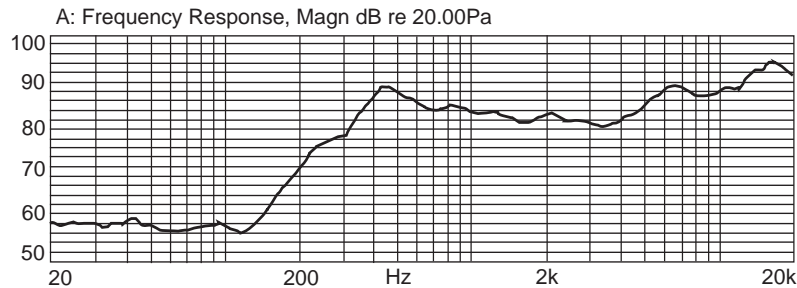
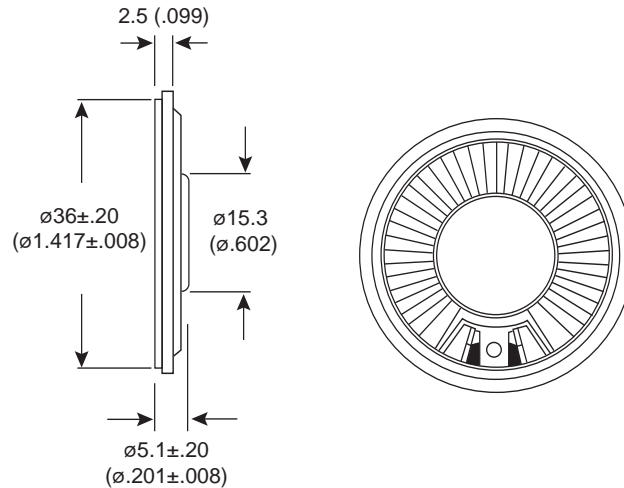


Part Number:

253-5363



Speaker

KT-400226

Electrical Specifications:

- Impedance: $8\Omega \pm 15\%$
- Rated Power: 0.5W
- Maximum Power: 1.5W
- Resonant Frequency: $450\text{Hz} \pm 20\%\text{Hz}$
- Frequency Range: 230 ~ 20KHz

Materials:

- Magnet: NdFeb