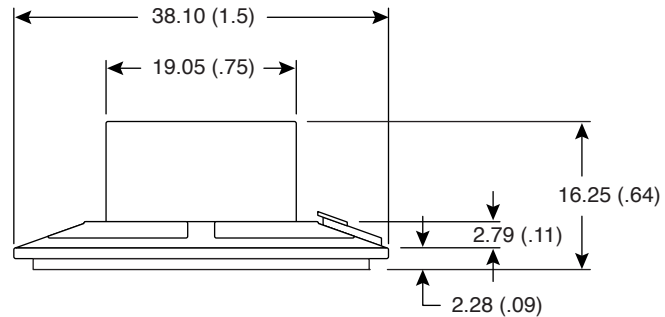
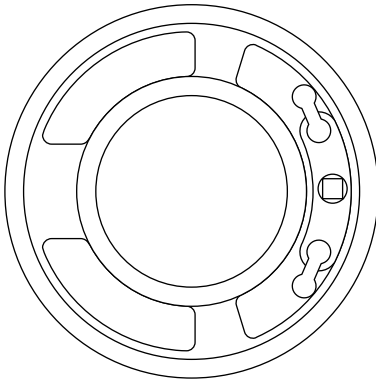
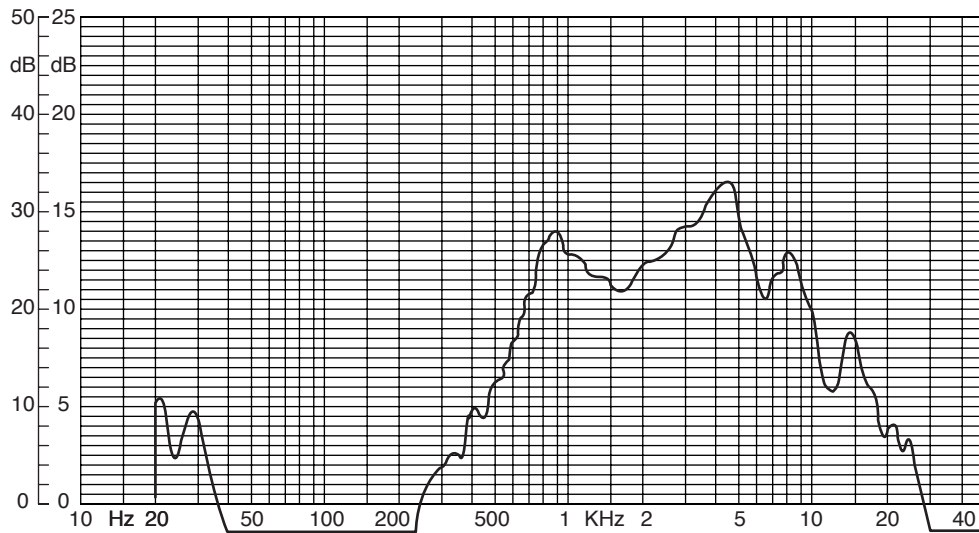


Part Number:

253-3015



Frequency Response



Speaker

longitudinal

KT-400206

**Electrical Specifications:**

- Voice coil impedance:  $8\Omega \pm 15\%$  @ 1kHz, 1V
- Resonant frequency: 800Hz  $\pm 160$ Hz @ 1V
- Frequency range: 800Hz ~ 4500KHz
- Sensitivity: 83dB / W $\pm 2$ dB
- Input power: .1W nom., .2W max.

**Materials:**

- Magnet Weight: .35 oz.