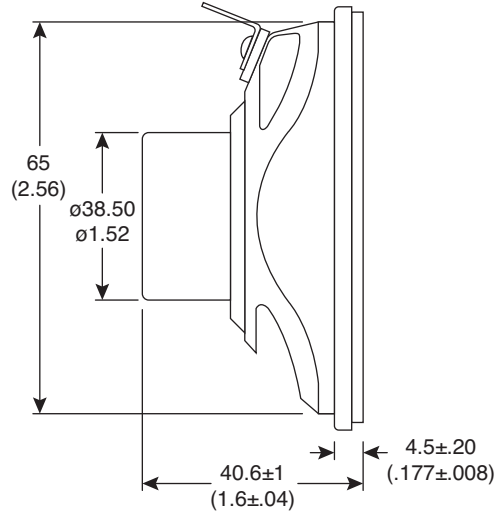
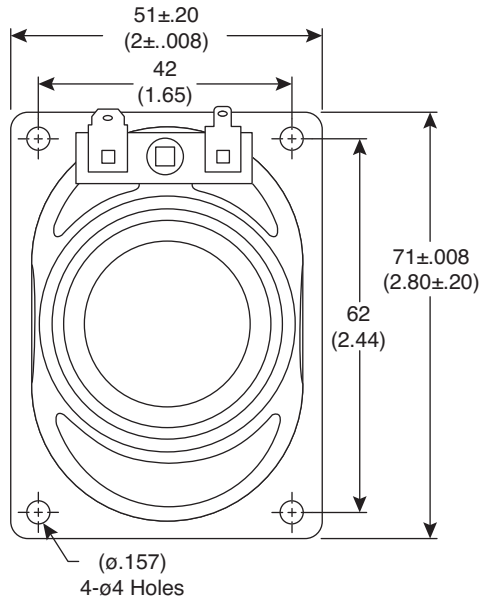
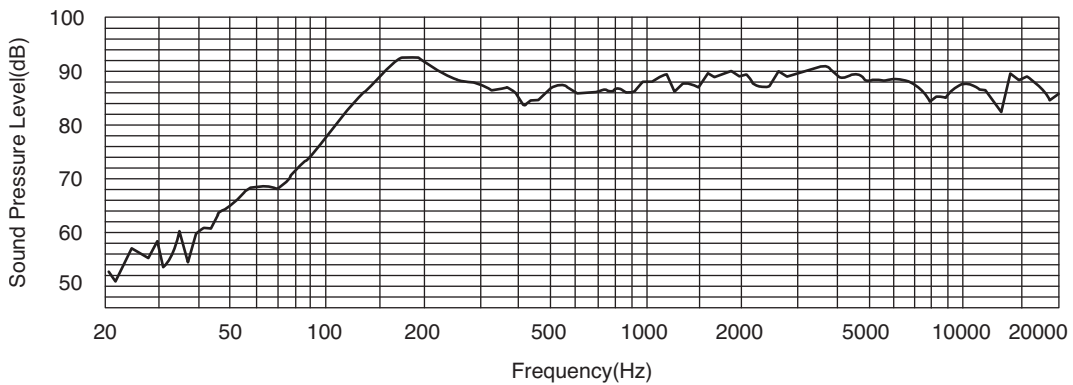


Part Number:

253-5070



Speaker



KT-400216

**Electrical Specifications:**

- Resonant frequency: 200±40Hz
- Frequency response: 200Hz~20KHz
- Rated power: 3w
- Maximum power: 5w
- Impedance: 8Ω ±1.2

**Materials:**

- Magnet: Ferrite 2" x 2.75"