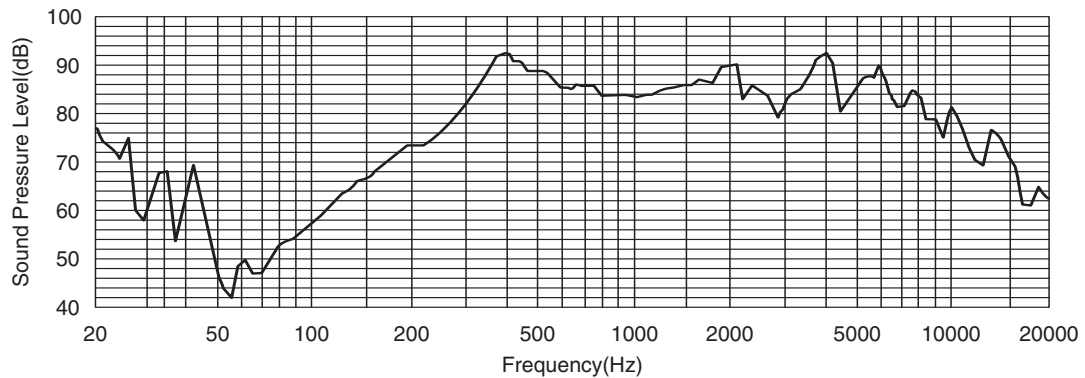
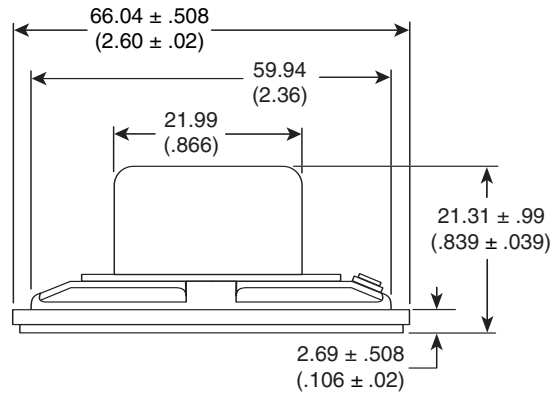
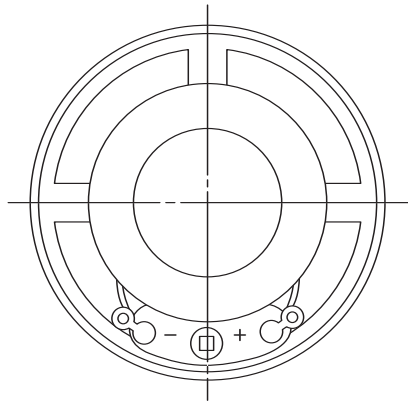


**Part Number:**

253-3025



**Speaker**

KT-400208

**Material specifications:**

- Magnet: Alnico 2.5"

**Electrical specifications:**

- Resonant frequency: 450Hz ± 90Hz
- Impedance: 8 ± 1.2Ω
- Rated power: 0.2W
- Max power: 0.4W
- Frequency range: 450Hz ~ 5KHz