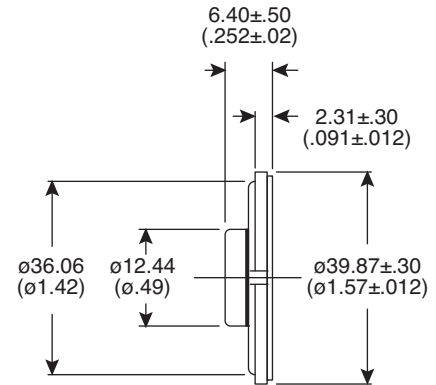
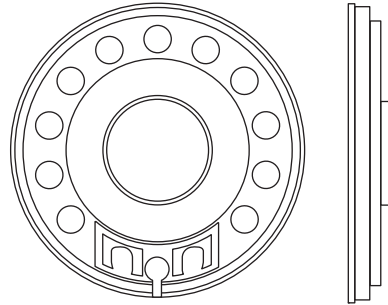
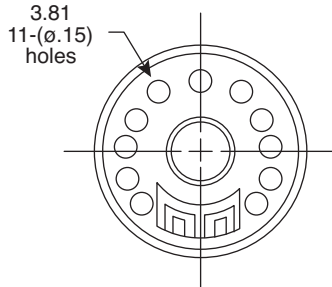


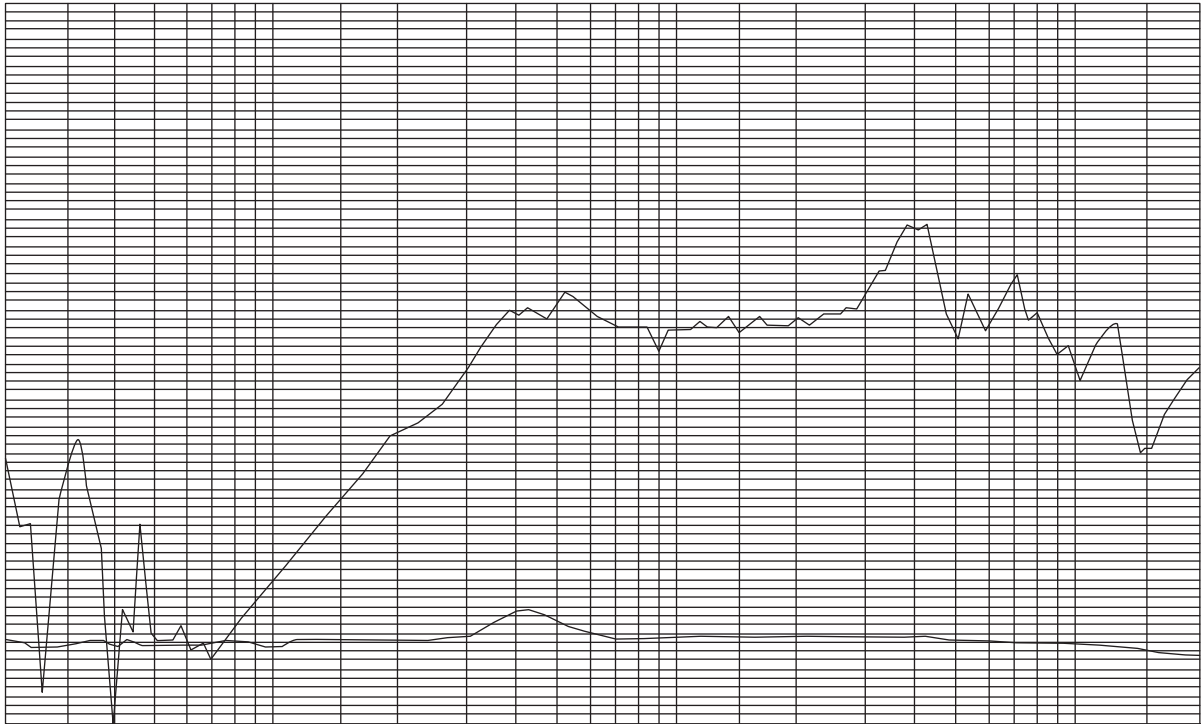
Part Number:

253-5015

Dimensions: mm (in.)



Frequency Response



Speaker

KT-400215

Electrical Specifications:

- Power Rating: nominal power rating 0.1W, peak music power 0.2W
- Voice coil imp: $8\Omega \pm 1.2\Omega$ @ 1000Hz 1V
- Resonance freq.: 400Hz \pm 80Hz @ Fo Hz 1V
- S.P.L.: 84dB/W \pm 3dB 1W 39.4 inches 100 cm average of 0.8, 1.0, 1.2, 1.5 KHz
- Response: Fo ~ 12K Hz, dev. 20dB max. 1W 39.4 Inches 100 cm
- Distortion: 5% max. 1000Hz 0.1W 39.4 inches 100 cm
- Voice coil: dia. 0.41 inches 10.5 mm

Mechanical Specifications:

- Polarity: With positive voltage applied to.
- (+) Terminal, the cone shall move away from pole piece.

Materials:

- Magnet: Nd
- Magnet Weight: 0.77 g
- Total weight: 9.8 g