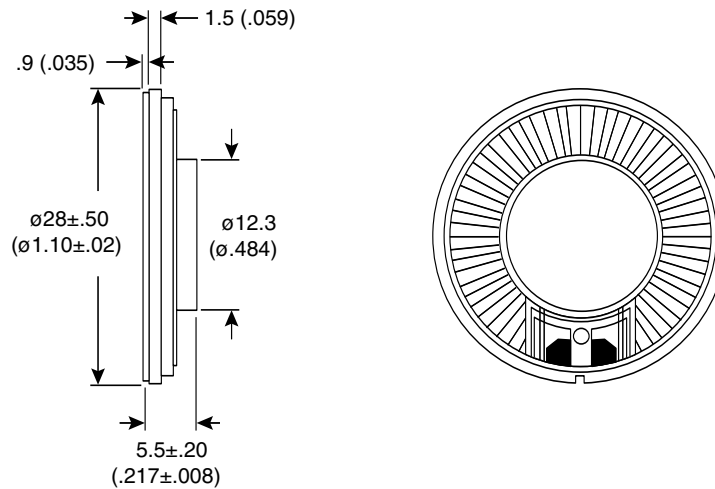
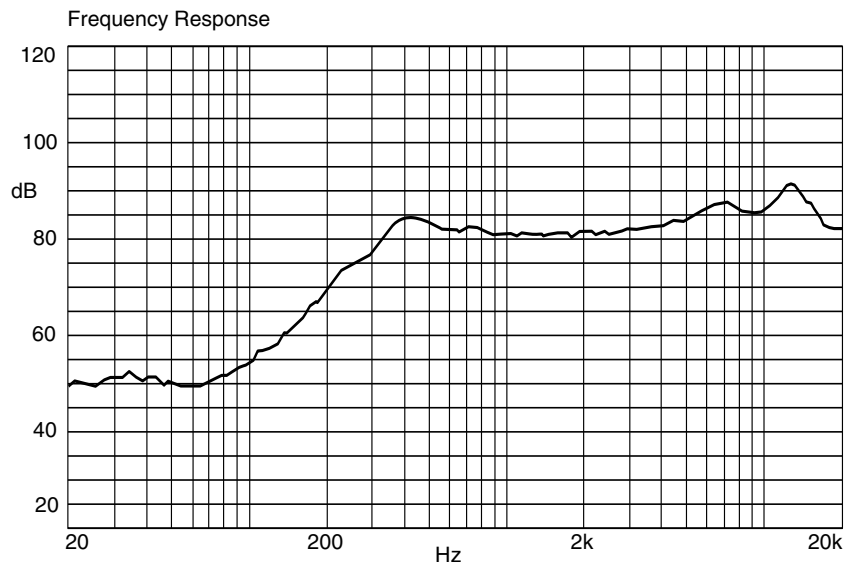


**Part Number:**

253-5285



Dimensions mm (In.)



Speaker

KT-400224

**Electrical Specifications:**

- Impedance:  $8 \Omega \pm 15\%$
- Rated power: 0.8 W
- Maximum power: 1.0 W
- Resonant frequency:  $400 \pm 20\%$  Hz
- Frequency range: 220-20 KHz

**Materials:**

- Magnet: NdFeB