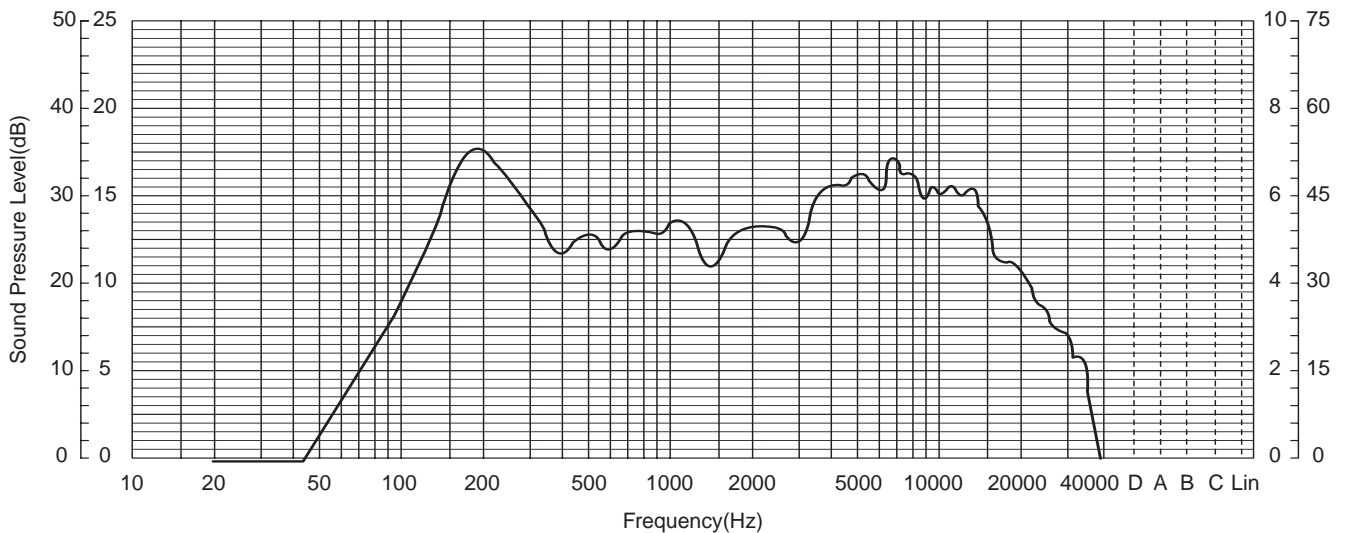
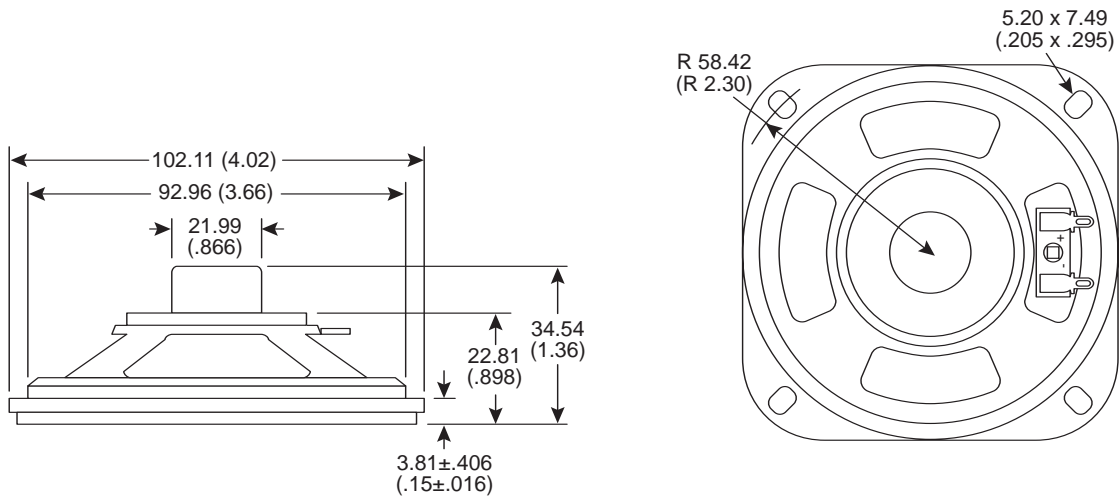


Part Number:

253-2040



KT-400199

Electrical Specifications:

- Impedance: $8\Omega \pm 15\%$
- Resonance Frequency: $180 \pm 30\text{Hz}$
- Frequency Range: 180Hz~10KHz
- Sensitivity: 85dB/W $\pm 2\text{dB}$
- Input: 1.5W nom., 2.5W max.