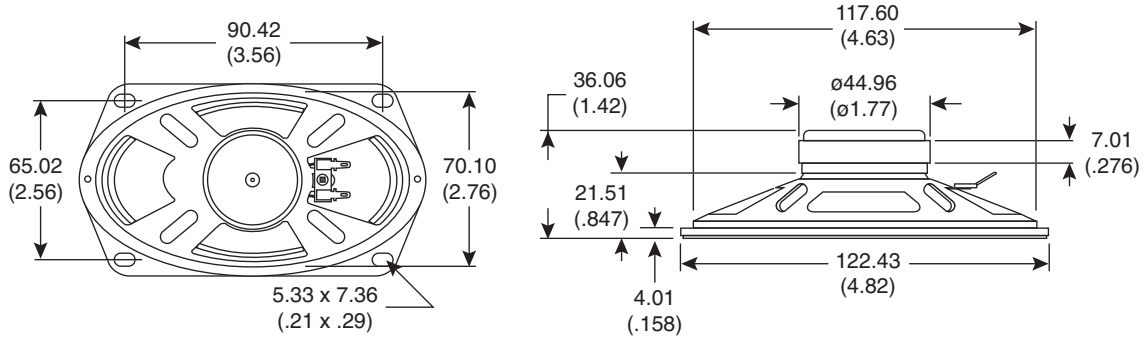
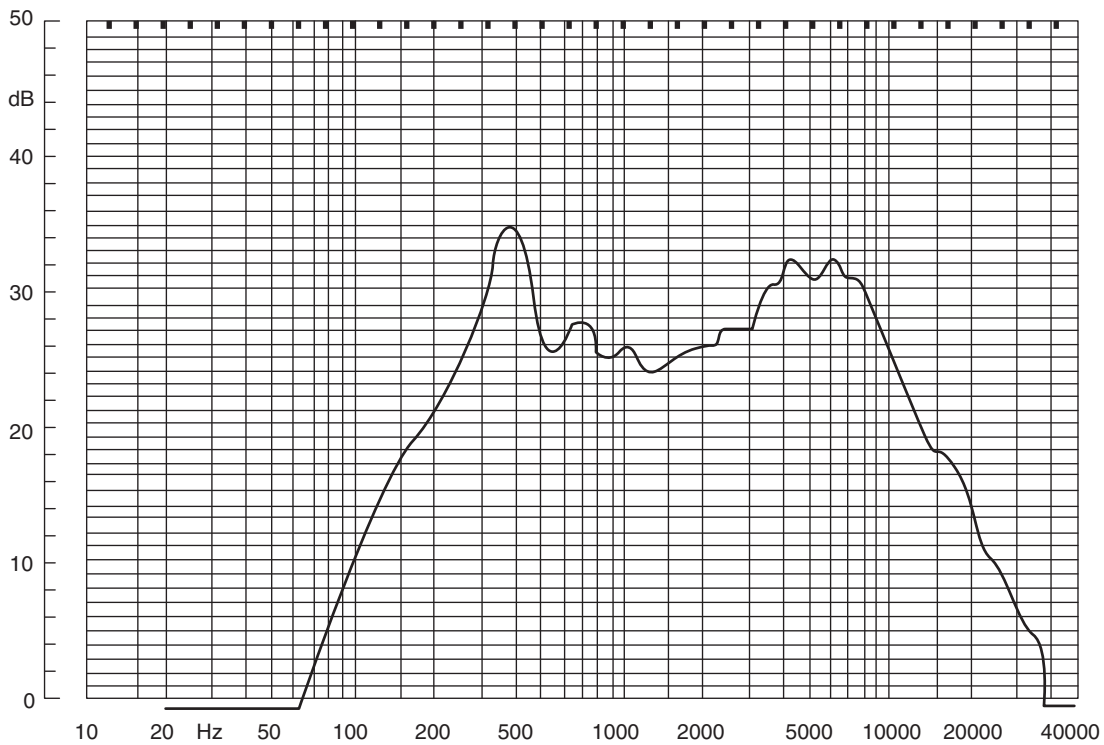


Part Number:

253-4350



Frequency Response



Speaker

KT-400211

Material specifications:

- Magnet: ferrite

Electrical specifications:

- Impedance: $8\Omega \pm 1.2\Omega$
- Resonant frequency: $160\text{Hz} \pm 32\text{Hz}$
- Frequency response: 160Hz ~ 12KHz
- Rated power: 1.5W
- Maximum power: 2.0W