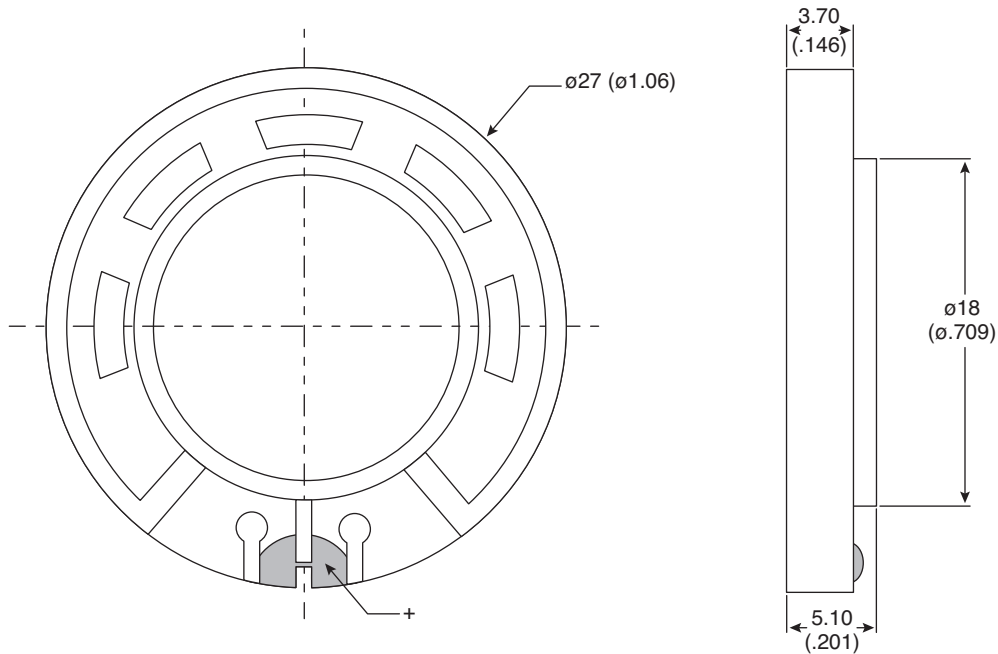
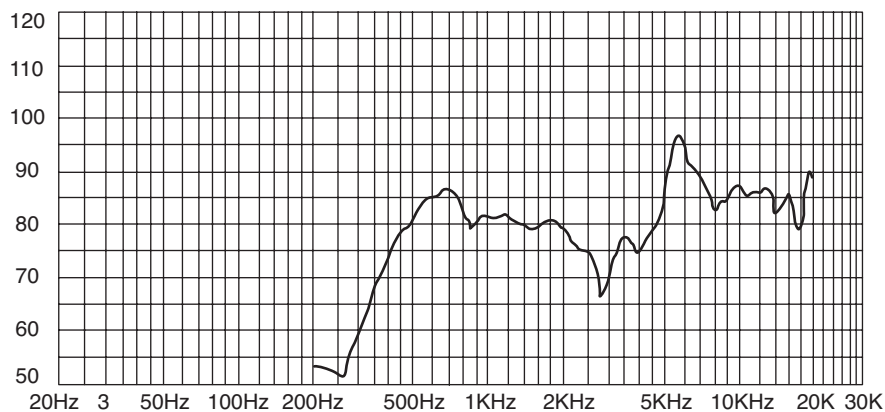


**Part Number:**

254-PS604



**Speaker**



KT-400168

**Electrical Specifications:**

- Nominal Impedance: 32Ω ±15% @ 1000Hz
- Power Rating: Normal 200mW Maximum 500mW
- Lowest Resonant Frequency: 600 ±150Hz.
- Output Sound Pressure Level (S.P.L.): 80 ±3dB / 0.2W 0.5 Meter. Avg at 1000 ~ 2000Hz.
- Frequency Range: 360 ~ 2,800Hz. average SPL-10 dB.
- Distortion: Max. 5% at 1200Hz. 200mW

**Material:**

- Magnet: Rare Earth
- Weight: 5.0g