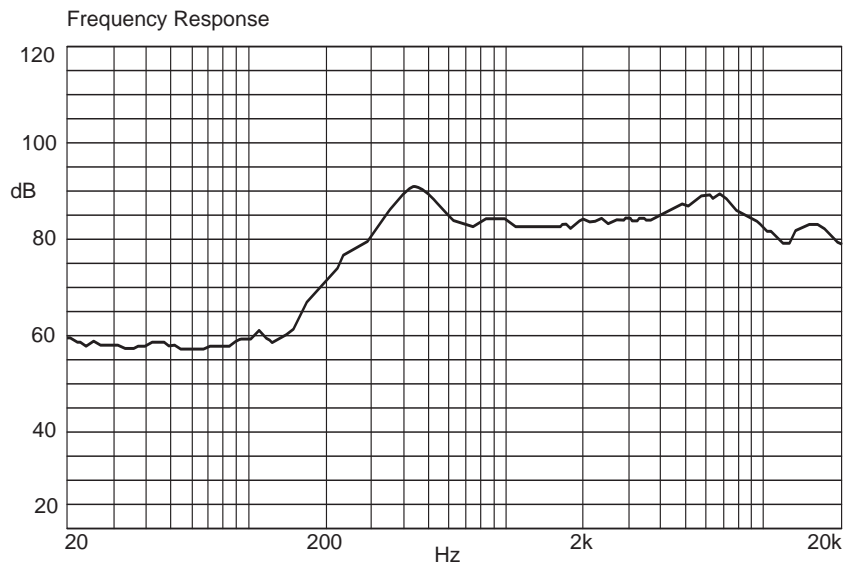
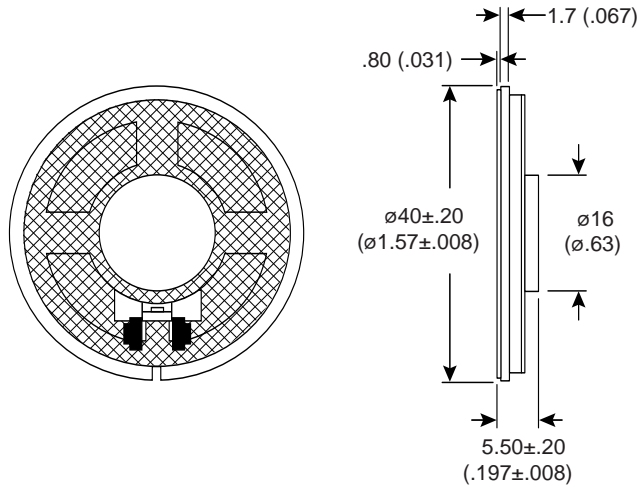


Part Number:

253-5405



Speaker

KT-400227

**Electrical Specifications:**

- Impedance:  $8\Omega \pm 15\%$
- Rated Power: 1.0W
- Maximum Power: 1.5W
- Resonant Frequency:  $450\text{Hz} \pm 20\%$
- Frequency Range: 230 ~ 20KHz

**Materials:**

- Magnet: NdFeb