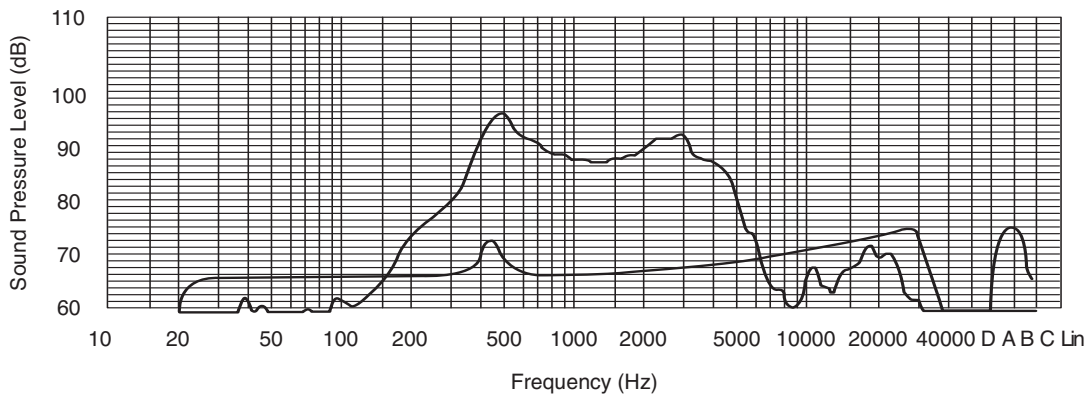
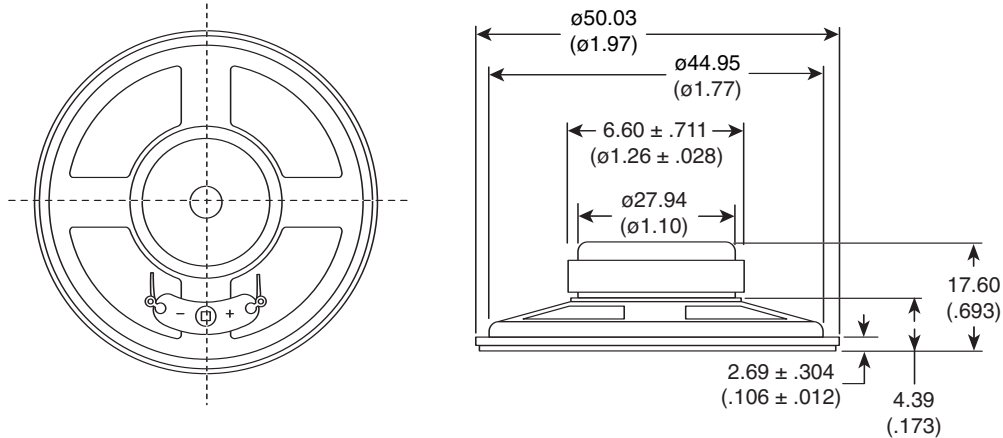


**Part Number:**

253-4020



**Speaker**

KT-400209

**Material specifications:**

- Magnet: ferrite
- Magnet weight: .58 oz

**Electrical specifications:**

- Sensitivity: 85 ± 2dB/W
- Resonant frequency: 500Hz ± 100Hz @ 1V
- Impedance: 8Ω ± 15% @ 1V
- Power: 0.2W
- Frequency response: F~5kHz
- Buzz & rattle test: 1.26V