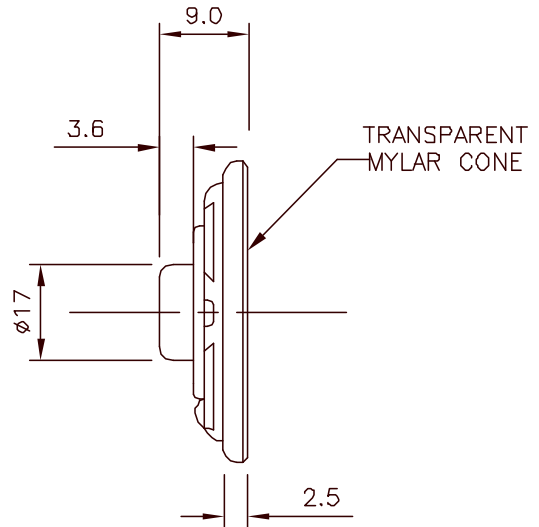
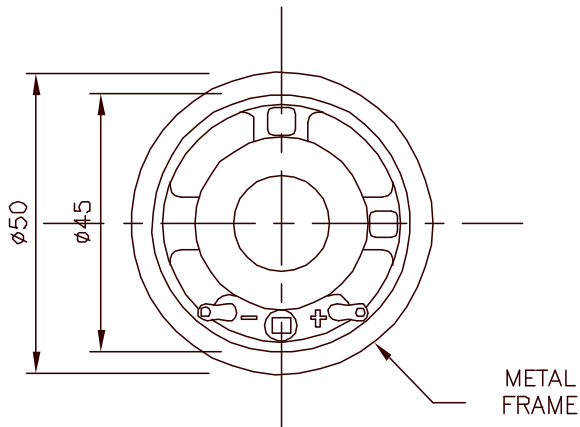


SPECIFICATIONS

PARAMETER	VALUES	UNITS
Maximum Power	0.2	W
Nominal Power	0.1	W
Resonant Frequency	450±20%	Hz
Frequency Range	450 ~ 4000	Hz
Impedance @ 1 kHz 1 Volt	16 ± 15%	Ohms
SPL @ 50 cm (Sine Wave)	83±3dB @ 0.2 W Mean Value at 0.8, 1.0 & 1.2 KHZ	dB
Magnet	Material=Cobalt (6000 Gauss) Weight=0.056oz.	
Weight	14.1	grams
Baffle Opening	44	mm

REVISIONS			
LTR	DESCRIPTION	DATE	APPROVED
-	RELEASED FROM ENGINEERING	7/23/02	

PRELIMINARY




NOTES:

1. ALL DIMENSIONS ARE IN MILLIMETERS.
2. SPECIFICATION SUBJECT TO CHANGE OR WITHDRAWAL WITHOUT NOTICE.

DRAWING NAME
AT50016M

UNLESS OTHERWISE SPECIFIED DIMENSIONS ARE IN MILLIMETERS	
TOLERANCES ARE:	
FRACTIONS	DECIMALS
± .XX ± 0.3	±
.XXX ±	
APPROVALS	DATE
DRAWN <i>E. W.</i>	07/02
CHECKED	
APPROVED	
DO NOT SCALE DRAWING	

 projects[®] unlimited Dayton, Ohio		
DYNAMIC SPEAKER AT-50016M (2)		
SIZE	MATERIAL	DRAWING NO.
A		AT50016M.DWG
SCALE	N/A	MAX. WT.
		SHEET 1 OF 1